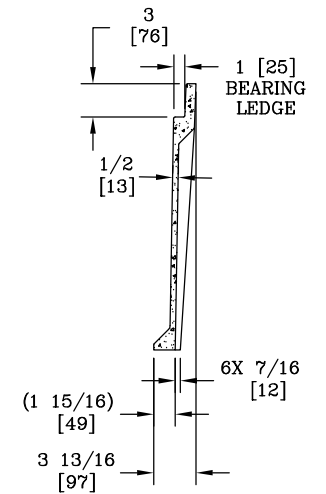
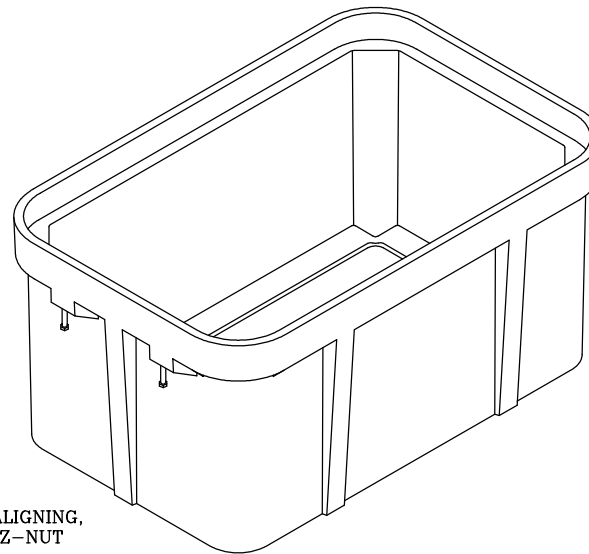
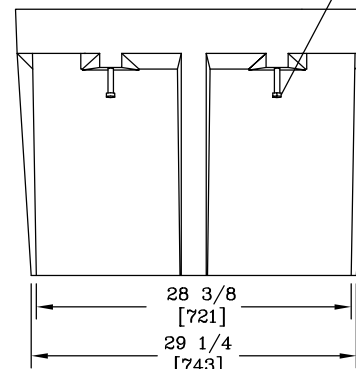
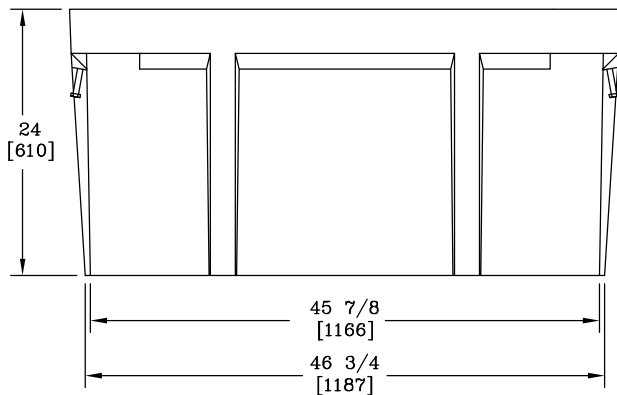


3/8-16 UNC SELF ALIGNING,
REPLACEABLE S.S. EZ-NUT
2 PLACES



SECTION A-A





1/2-13 UNC
LIFTING BOLT
4 PLACES

NOTES:

1. DIMENSIONS IN BRACKETS ARE IN MILLIMETERS UNLESS NOTED OTHERWISE.



ALL DIMENSIONS ARE IN INCHES UNLESS OTHERWISE SPECIFIED					
DSN	BY	DATE	WEIGHT	 3621 INDUSTRIAL PARK DR LENOIR CITY, TN 37771 865 986-9726	LOC
			244# 111kg		
DRN	<i>RLP</i>	3/4/94		 DRAWING TITLE	REV E
CHK	<i>WRJ</i>	3/9/94	SCALE		
ENG	<i>MSF</i>	3/9/94	1"=1'	QUAZITE® BOX	11/02
APR	<i>MSF</i>	3/9/94	SIZE B		
APR	<i>MSF</i>	3/9/94			
JOB NUMBER			DRAWING NUMBER		
94073			PG3048BA24		
SHEET 1 OF 1					