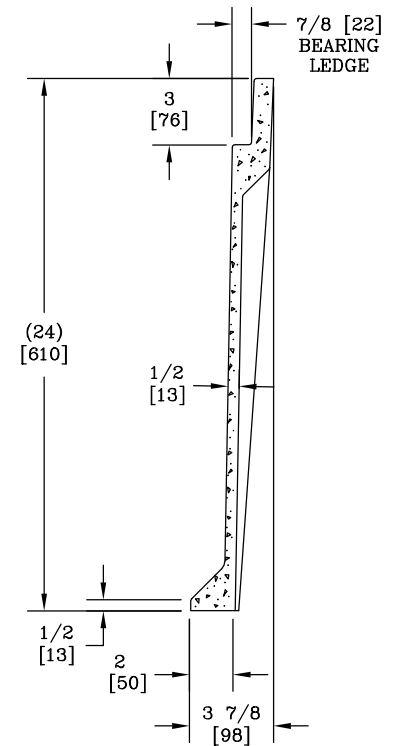
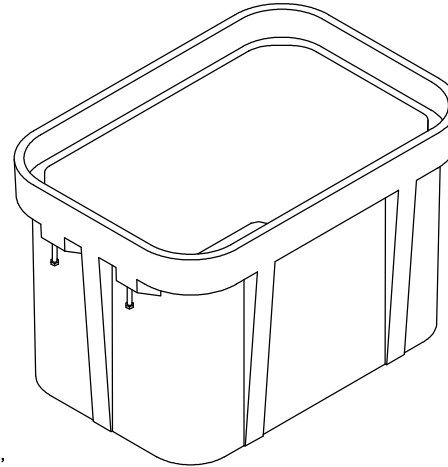
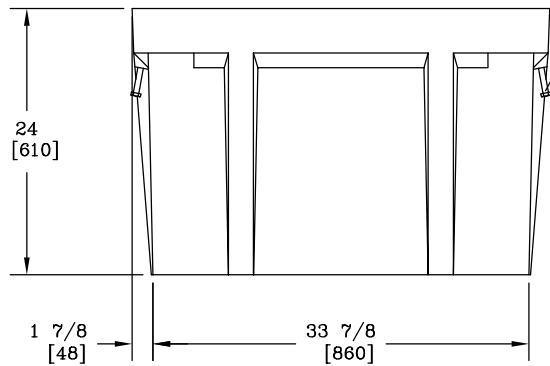


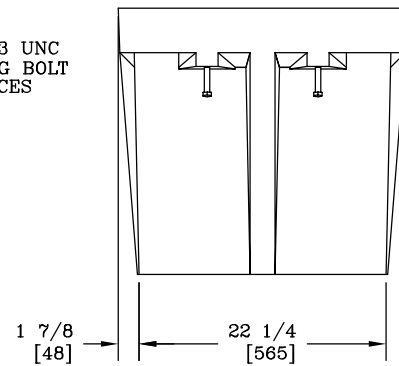
3/8-16 UNC SELF ALIGNING,
REPLACEABLE S.S. EZ-NUT
2 PLACES



SECTION A-A
SCALE: 6"=1'




1/2-13 UNC
LIFTING BOLT
4 PLACES



NOTE:

1. DIMENSIONS IN BRACKETS ARE IN MILLIMETERS UNLESS NOTED OTHERWISE.

ALL DIMENSIONS ARE IN INCHES UNLESS OTHERWISE SPECIFIED					
DSN	BY	DATE	WEIGHT		3621 INDUSTRIAL PARK DR LENOIR CITY, TN 37771 865 986-9726
DRN	WRJ	10/29/93	181# 82kg		
CHK	MSF	11/4/93	SCALE	LENOIR CITY, INC.	LOC HQ S
ENG	MSF	11/4/93	1"=1'		
APR	FMS	11/4/93	SIZE	DRAWING TITLE	REV F
APR			B		
JOB NUMBER				DRAWING NUMBER	
93640				PG2436BA24	
SHEET 1 OF 1					

