

PCA304824-00158

POLYMER CONCRETE ASSEMBLY

30" x 48" x 24"

(For actual dimensions see drawing)

Polymer Concrete Assembly, Straight Sides, No Floor, WUC 3.6-"20K," 3/8" Hex Bolts, 2 Piece Cover, Standard Nameplate (FIBER OPTIC) Installed

LOAD RATINGS

Incidental Traffic - Parking Lot, Sidewalk
Conforms to:

- WUC 3.6
- ASTM C 87
- ANSISCTE 77

FEATURES:

- USDA/RUS Approved
- Drop-In nameplate
- Shipped assembled
- Skid resistant cover
- Stainless steel bolts
- Cast-in floating nut box
- Integral drain holes

**Additional product information
continued on the reverse**

newbasis
Composites for Infrastructure

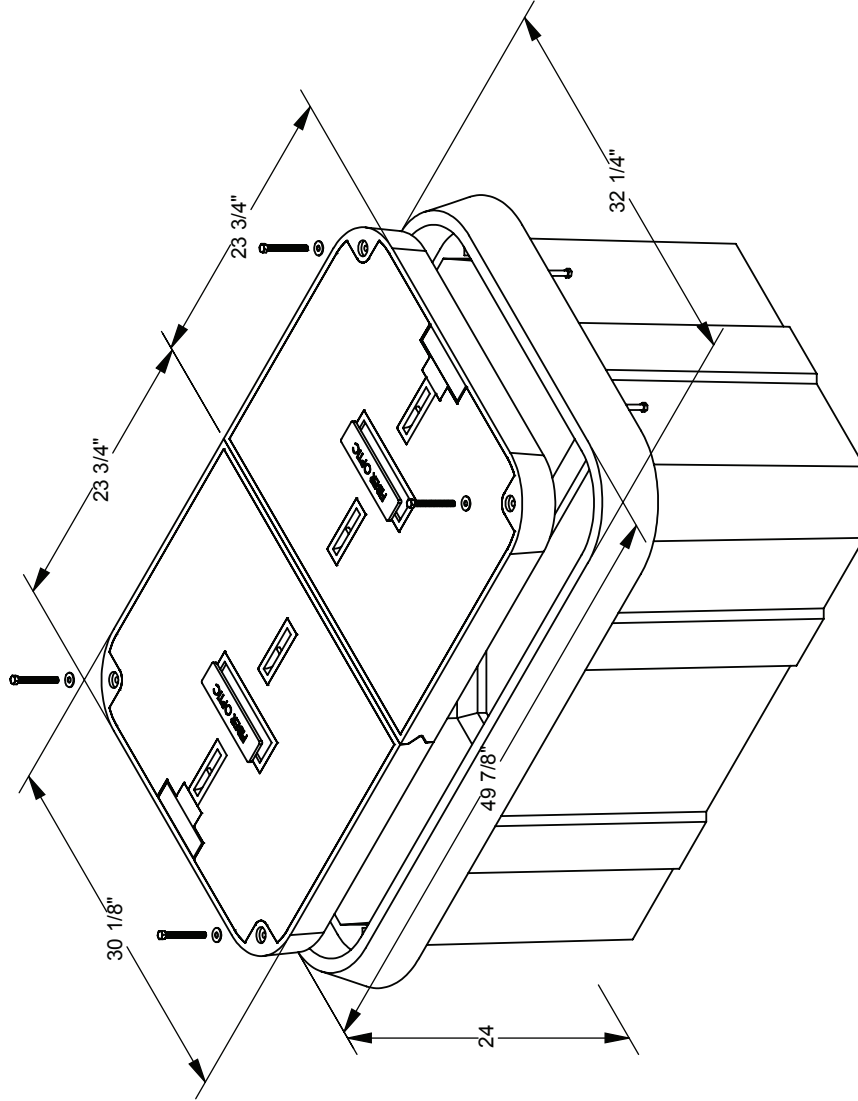
2626 Kansas Avenue
Riverside, California 92507

951.787.0600

951.787.0632 (fax)

info@newbasis.com

newbasis.com



Inside Dimensions		
Length	Width	Depth
45 7/8"	28 3/8"	21"

REV: A

PCA304824-00158

POLYMER CONCRETE ASSEMBLY



Polymer Concrete Assembly, Straight Sides, No Floor, WUC 3.6-"20K," 3/8" Hex Bolts, 2 Piece Cover, Standard Nameplate (FIBER OPTIC) Installed

30" X 48" X 24" For actual dimensions, see drawing on front side.

AVAILABLE OPTIONS

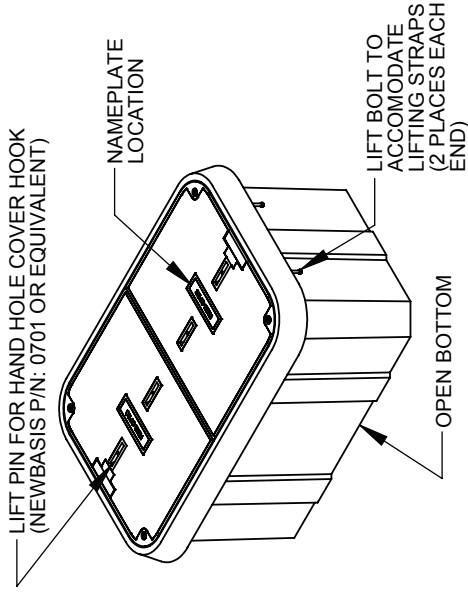
- Penta Bolts
- Two Piece Cover
- Telephone EMS
- Power EMS
- Custom Nameplate Installed
- Custom Nameplate Shipped Separately
- "FIBER OPTIC" Installed
- "FIBER OPTIC" Shipped Separately

NAMEPLATES

One standard nameplate included with each assembly, installed at the factory or easily installed in the field. Custom nameplates are available. Contact customer service.

Standard Nameplates

- Electric
- Telephone
- Fiber Optic
- Water
- Irrigation Control Valve
- Broadband
- Traffic
- CATV
- Traffic Signal
- Communications



- Indicates a selected option

MATERIAL PROPERTIES AND ATTRIBUTES

- Compressive Strength**
Polymer Concrete - **87 MPa**
Per ASTM D695
- Flexural Strength**
Polymer Concrete - **20 MPa** (Flex Modulus)
Per ASTM D790
- Coefficient of Friction (Dry)**
1.085
Per ASTM C1028
- Polymer Concrete
- Advanced composite: Very high strength to weight ratio
 - Non-metallic
 - Non-conductive
 - UV Resistant
 - High impact resistant
 - Impervious to chemicals and moisture

Materials tested in accordance with ASTM D-543 and ASTM D-570

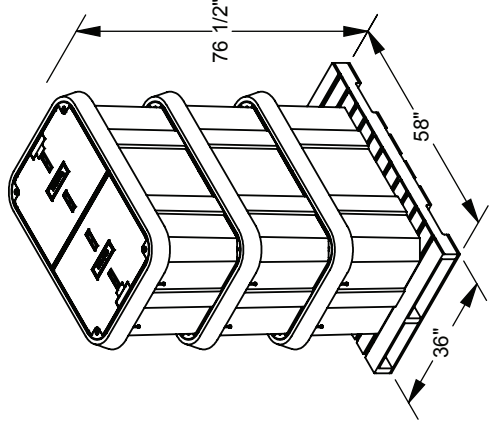
WEIGHTS AND SHIPPING

- COVER WEIGHT: 244 lbs.
BOX WEIGHT: 332 lbs.
ASSEMBLY WEIGHT: 576 lbs.
LOADED PALLET WEIGHT: 1750 lbs.

Standard shipping includes van delivery of pallet quantities to the lower 48 states. Partial pallet quantities and flat bed shipping available at an additional cost.

PACKAGING (Steel Banding, Edge Protection)

PALLET QUANTITY: 3



Rev: A

PCB304824-00000

POLYMER CONCRETE BOX

30" X 48" X 24"
(FOR ACTUAL DIMENSIONS, SEE DRAWING)

Polymer Concrete Box, Straight,
WUC 3.6, ANSI/SCTE 77-Tier 15

AVAILABLE OPTIONS

- Penta head bolt kit
- Hex head bolt kit

MATERIAL PROPERTIES AND ATTRIBUTES

Compressive Strength
Polymer Concrete - 87 MPa
FRP - 134 MPa
Per ASTM D695

Flexural Strength
Polymer Concrete - 20 MPa
FRP - 116 MPa
(Flex Modulus) Per ASTM D790

Box Weight: 370 lbs.

newbasis
Composites for Infrastructure

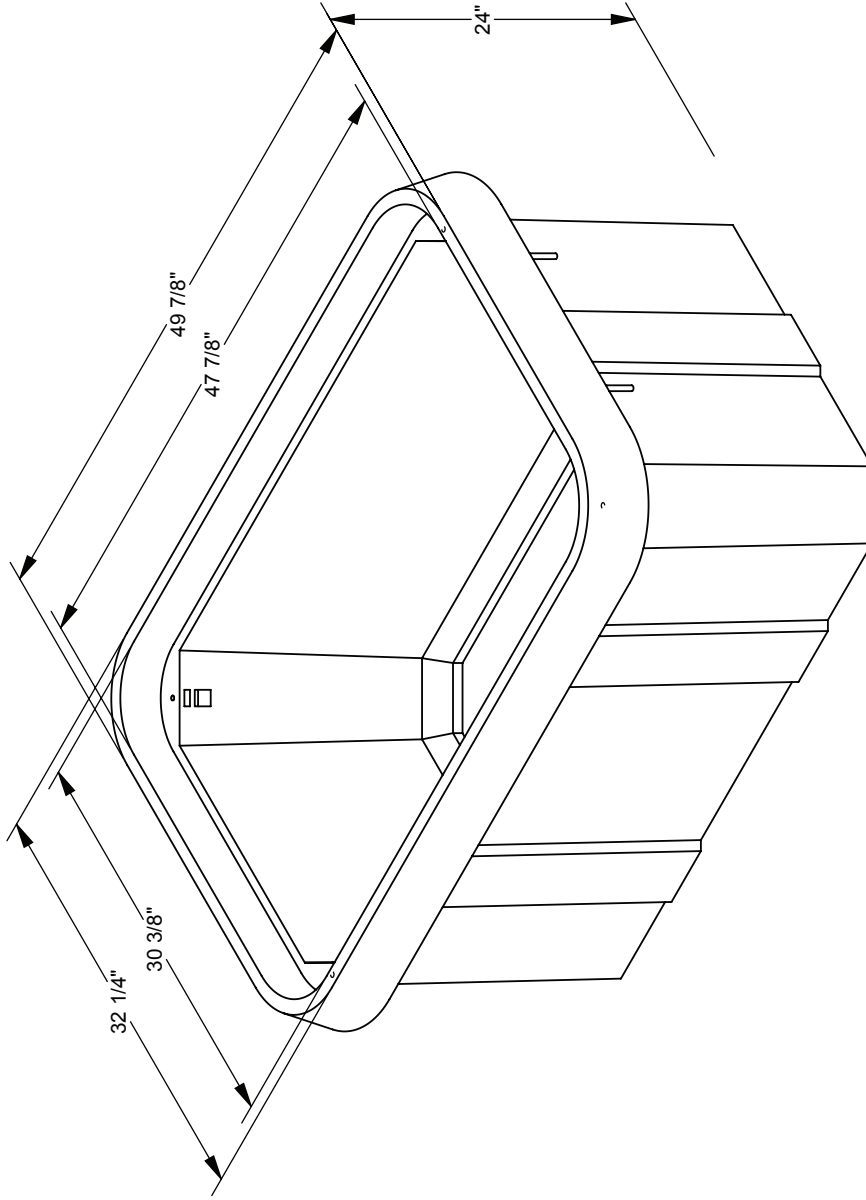
2626 Kansas Avenue
Riverside, California 92507

951.787.0600

951.787.0632 (fax)

info@newbasis.com

newbasis.com



REV: A.1

PCC3048P2-90038

POLYMER CONCRETE COVER

30" X 48" X 3"
(FOR ACTUAL DIMENSIONS, SEE DRAWING)

Polymer Concrete 2 Piece Cover Assembly, WUC 3.6, ANSI/SCTE 77-"T15/20K," Standard Nameplate (FIBER OPTIC) Installed

AVAILABLE OPTIONS

- Penta head bolt kit
- Hex head bolt kit
- Standard nameplate
- Custom nameplate
- Power EMS
- Telephone EMS

MATERIAL PROPERTIES AND ATTRIBUTES

Compressive Strength
Polymer Concrete - 87 MPa
Per ASTM D695

Flexural Strength
Polymer Concrete - 20 MPa
(Flex Modulus) Per ASTM D790

Coefficient of Friction (Dry)
1.085 Per ASTM C1028

Cover Weight: 115 lbs. (Each half)

newbasis
Composites for Infrastructure

2626 Kansas Avenue
Riverside, California 92507

951.787.0600

951.787.0632 (fax)

info@newbasis.com

newbasis.com

