

PCA243624-00078

POLYMER CONCRETE ASSEMBLY

24" x 36" x 24"

(For actual dimensions see drawing)

Polymer Concrete Assembly, Straight Sides, No Floor, WUC 3.6-"20K," 3/8" Hex Bolts, Standard Nameplate (FIBER OPTIC) Installed

LOAD RATINGS

Incidental Traffic - Parking Lot, Sidewalk
Conforms to:

- WUC 3.6
- ASTM C 857
- ANSISCTE 77

FEATURES:

- USDA/RUS Approved
- Drop-In nameplate
- Shipped assembled
- Skid resistant cover
- Stainless steel bolts
- Cast-in floating nut box
- Integral drain holes

Additional product information continued on the reverse

newbasis
Composites for Infrastructure

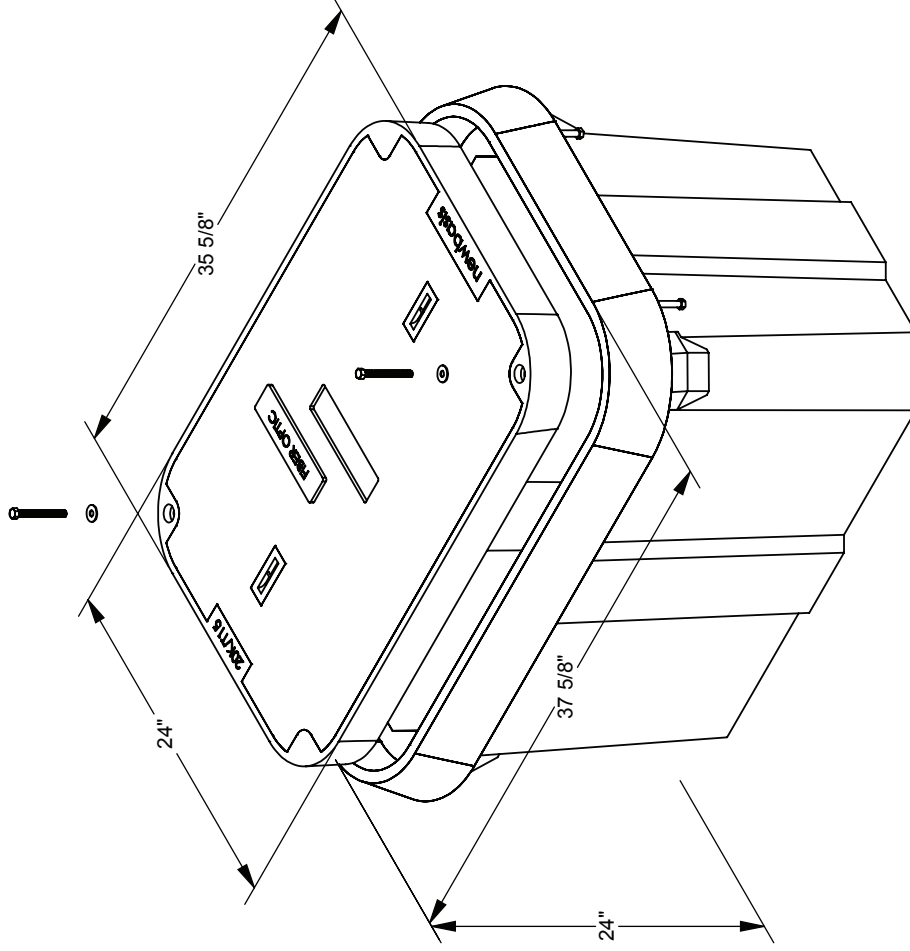
2626 Kansas Avenue
Riverside, California 92507

951.787.0600

951.787.0632 (fax)

info@newbasis.com

newbasis.com



Inside Dimensions		
Length	Width	Depth
33 9/16"	21 15/16"	21"

REV: A.1

PCA243624-00078

POLYMER CONCRETE ASSEMBLY



Polymer Concrete Assembly, Straight Sides, No Floor, WUC 3.6-20K, 3/8" Hex Bolts, Standard Nameplate (FIBER OPTIC) Installed

24" X 36" X 24" For actual dimensions, see drawing on front side.

AVAILABLE OPTIONS

- Penta Bolts
- Telephone EMS
- Power EMS
- Custom Nameplate Installed
- Custom Nameplate Shipped Separately
- "FIBER OPTIC" Installed
- "FIBER OPTIC" Shipped Separately

- Indicates a selected option

MATERIAL PROPERTIES AND ATTRIBUTES

Compressive Strength
Polymer Concrete - **87 MPa**
Per ASTM D695

Flexural Strength
Polymer Concrete - **20 MPa** (Flex Modulus)
Per ASTM D790

Coefficient of Friction (Dry)
1.085
Per ASTM C1028

- Polymer Concrete
- Advanced composite: Very high strength to weight ratio
 - Non-metallic
 - Non-conductive
 - UV Resistant
 - High impact resistant
 - Impervious to chemicals and moisture

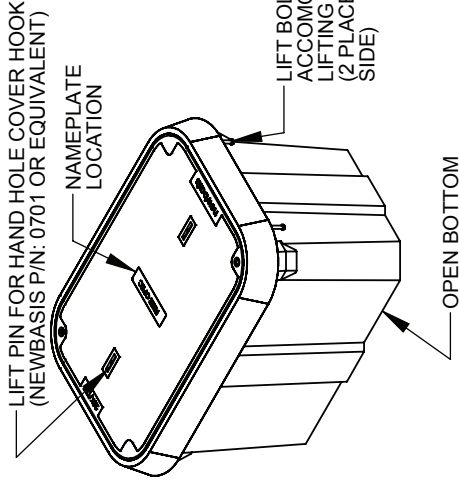
Materials tested in accordance with ASTM D-543 and ASTM D-570

NAMEPLATES

One standard nameplate included with each assembly, installed at the factory or easily installed in the field. Custom nameplates are available. Contact customer service.

Standard Nameplates

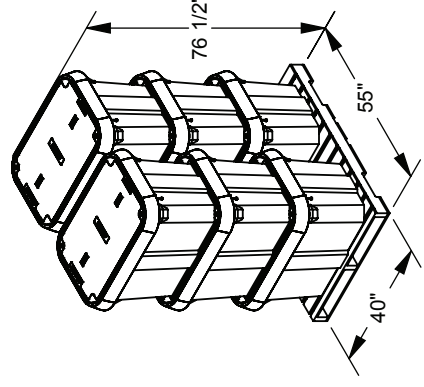
- Electric
- Telephone
- Fiber Optic
- Water
- Irrigation Control Valve
- Broadband
- Traffic
- CATV
- Traffic Signal
- Communications



Rev: A.1

PACKAGING (Steel Banding, Edge Protection)

PALLET QUANTITY: 6



WEIGHTS AND SHIPPING

COVER WEIGHT: 122 lbs.

BOX WEIGHT: 196 lbs.

ASSEMBLY WEIGHT: 318 lbs.

LOADED PALLET WEIGHT: 1,960 lbs.

Standard shipping includes van delivery of pallet quantities to the lower 48 states. Partial pallet quantities and flat bed shipping available at an additional cost.

PCB243624-00000

POLYMER CONCRETE BOX

24" X 36" X 24"
(FOR ACTUAL DIMENSIONS, SEE DRAWING)

Polymer Concrete Box, Straight,
WUC 3.6, ANSI/SCTE 77-Tier 15

AVAILABLE OPTIONS

- Penta head bolt kit
- Hex head bolt kit

MATERIAL PROPERTIES AND ATTRIBUTES

Compressive Strength
Polymer Concrete - 87 MPa
FRP - 134 MPa
Per ASTM D695

Flexural Strength
Polymer Concrete - 20 MPa
FRP - 116 MPa
(Flex Modulus) Per ASTM D790

Box Weight: 233 lbs.

newbasis
Composites for Infrastructure

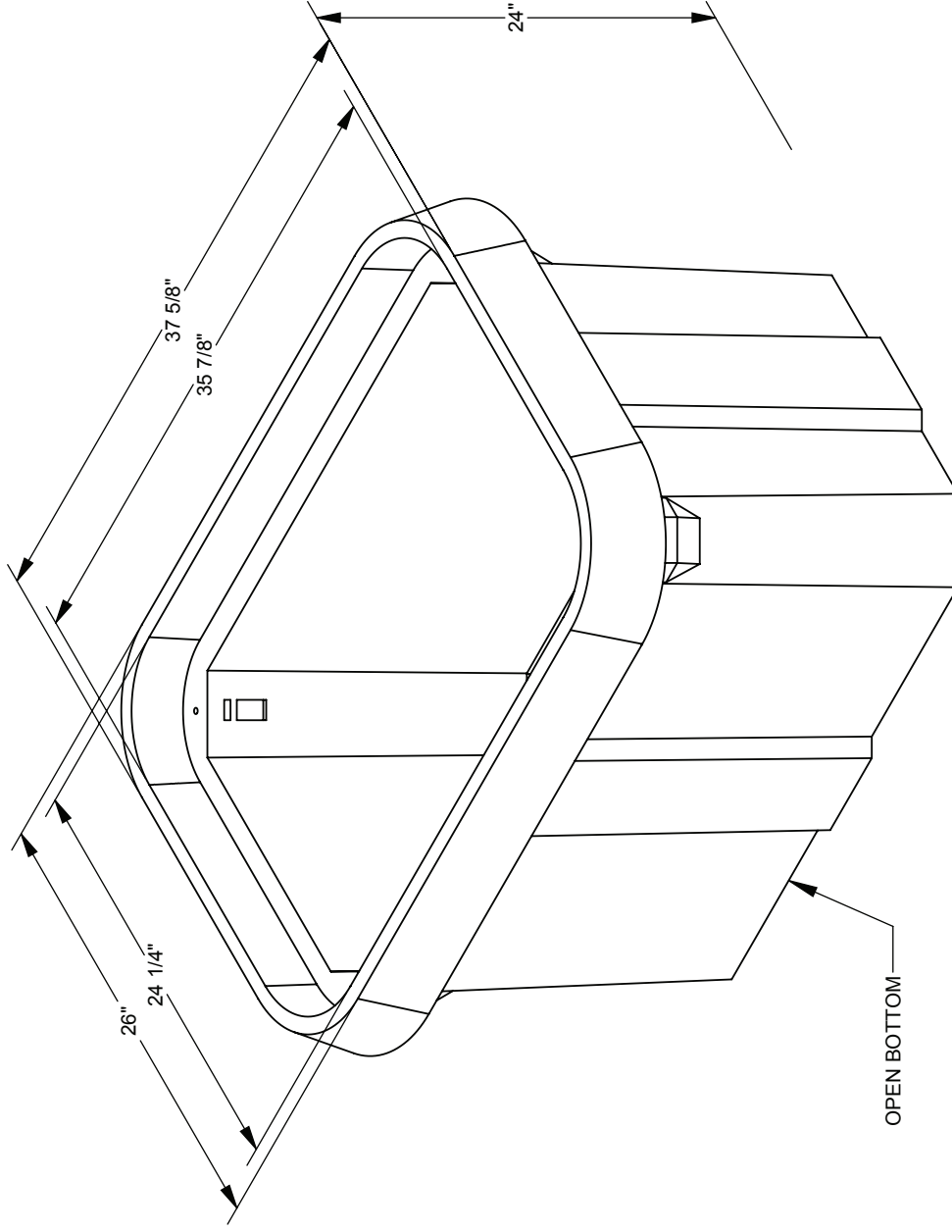
2626 Kansas Avenue
Riverside, California 92507

951.787.0600

951.787.0632 (fax)

info@newbasis.com

newbasis.com



REV: A.1

PCC2436P1-90042

POLYMER CONCRETE COVER

24" X 36" X 3"
(FOR ACTUAL DIMENSIONS, SEE DRAWING)

Polymer Concrete Cover, WUC 3.6,
ANSI/SCTE 77-"T15/20K," Standard
Nameplate (FIBER OPTIC) Installed

AVAILABLE OPTIONS

- Penta head bolt kit
- Hex head bolt kit
- Standard nameplate
- Custom nameplate
- Power EMS
- Telephone EMS

MATERIAL PROPERTIES AND ATTRIBUTES

Compressive Strength
Polymer Concrete - 87 MPa
Per ASTM D695

Flexural Strength
Polymer Concrete - 20 MPa
(Flex Modulus) Per ASTM D790

Coefficient of Friction (Dry)
1.085 Per ASTM C-1028

Cover Weight: 124 lbs.

newbasis
Composites for Infrastructure

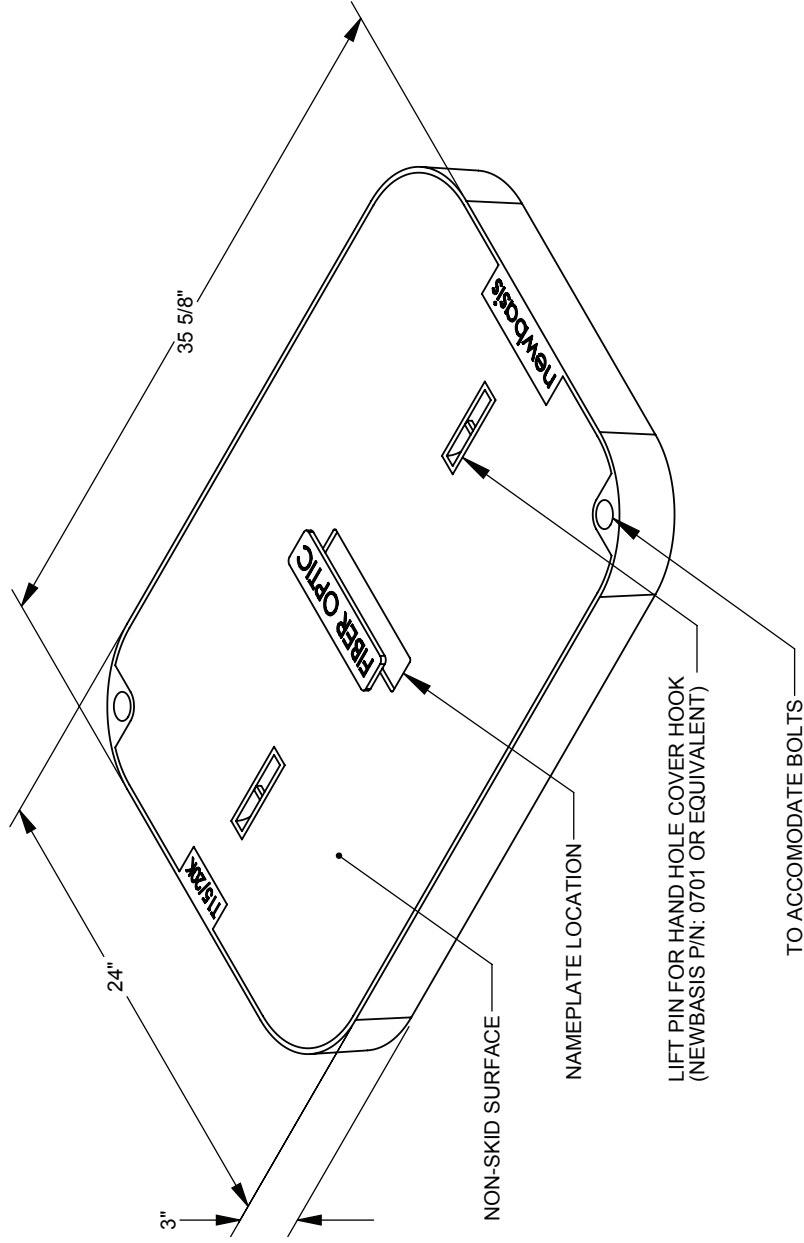
2626 Kansas Avenue
Riverside, California 92507

951.787.0600

951.787.0632 (fax)

info@newbasis.com

newbasis.com



REV: A.0