

30" x 48" BOX ASSEMBLY

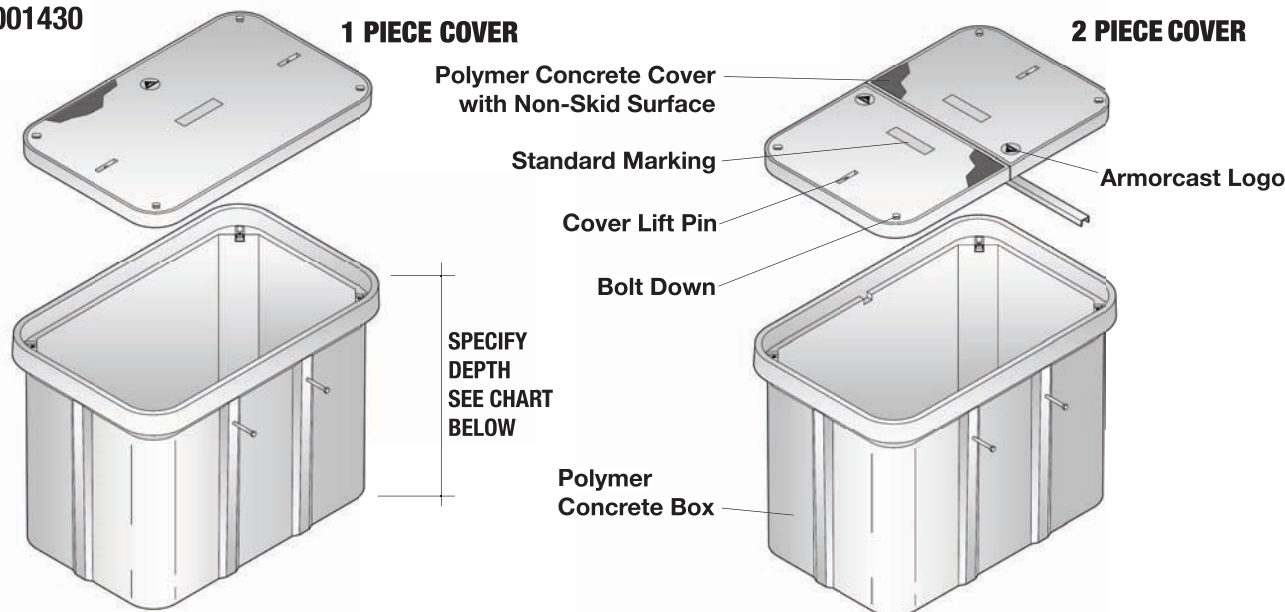
12" to 48" DEPTHS



POLYMER CONCRETE

ARMORCAST PRODUCTS COMPANY

A6001430



30"W x 48"L BOX ASSEMBLIES Specify Depth Below

DESCRIPTION	NOMINAL SIZE W x L x D	LOAD RATING	ANSI TIER	PART NUMBER	APPROX. WEIGHT	PALLET QTY.
Box & Cover Assembly	30" x 48" x 12"	10K	8	A6001430APCX12	317 lbs.	5
	30" x 48" x 12"	20K	15 / 22	A6001430TAPCX12 / A6001430HDAPCX12	325 lbs.	5
Box & Cover Assembly	30" x 48" x 18"	10K	8	A6001430APCX18	377 lbs.	2
	30" x 48" x 18"	20K	15 / 22	A6001430TAPCX18 / A6001430HDAPCX18	385 lbs.	2
Box & Cover Assembly	30" x 48" x 24"	10K	8	A6001430APCX24	427 lbs.	3
	30" x 48" x 24"	20K	15 / 22	A6001430TAPCX24 / A6001430HDAPCX24	435 lbs.	3
Box & Cover Assembly	30" x 48" x 30"	10K	8	A6001430APCX30	498 lbs.	3
	30" x 48" x 30"	20K	15 / 22	A6001430TAPCX30 / A6001430HDAPCX30	506 lbs.	3
Box & Cover Assembly	30" x 48" x 36"	10K	8	A6001430APCX36	568 lbs.	1
	30" x 48" x 36"	20K	15 / 22	A6001430TAPCX36 / A6001430HDAPCX36	576 lbs.	1
Box & Cover Assembly	30" x 48" x 48"	10K	8	A6001430APCX48	663 lbs.	1
	30" x 48" x 48"	20K	15 / 22	A6001430TAPCX48 / A6001430HDAPCX48	671 lbs.	1

COMPONENTS

MORE COVER VARIATIONS ARE AVAILABLE IN OUR "COVER SECTION"

DESCRIPTION	NOMINAL SIZE W x L x D	LOAD RATING	ANSI TIER	PART NUMBER	APPROX. WEIGHT	PALLET QTY.
Replacement Covers	30" x 48" - 1 pc.	10K	8	A6001630	146 lbs.	10
	30" x 48" - 1 pc.	20K	15 / 22	A6001630T / A6001630HD	180 lbs.	10
	30" x 48" - 2 pc.	10K	8	A6001470 (2 pc. Req.)	96 lbs. ea.	20
	30" x 48" - 2 pc.	20K	15 / 22	A6001470T / A6001470HD (2 pc. Req.)	100 lbs. ea.	20
Replacement Boxes	30" x 48" x 12"	10K / 20K	8 / 15	A6001430PCX12	137 lbs.	8
	30" x 48" x 18"	10K / 20K	8 / 15	A6001430PCX18	189 lbs.	2
	30" x 48" x 24"	10K / 20K	8 / 15	A6001430PCX24	265 lbs.	3
	30" x 48" x 30"	10K / 20K	8 / 15	A6001430PCX30	300 lbs.	3
	30" x 48" x 36"	10K / 20K	8 / 15	A6001430PCX36	371 lbs.	1
	30" x 48" x 48"	10K / 20K	8 / 15	A6001430PCX48	468 lbs.	1

- Boxes are Open Bottom and Stackable, also available with Solid Bottoms.
- For sizes not shown please contact Armorcast Products for more information

© 2011 Armorcast Products Company 811

www.armorcastprod.com

Tel: (818) 982-3600 Fax: (818) 982-7742



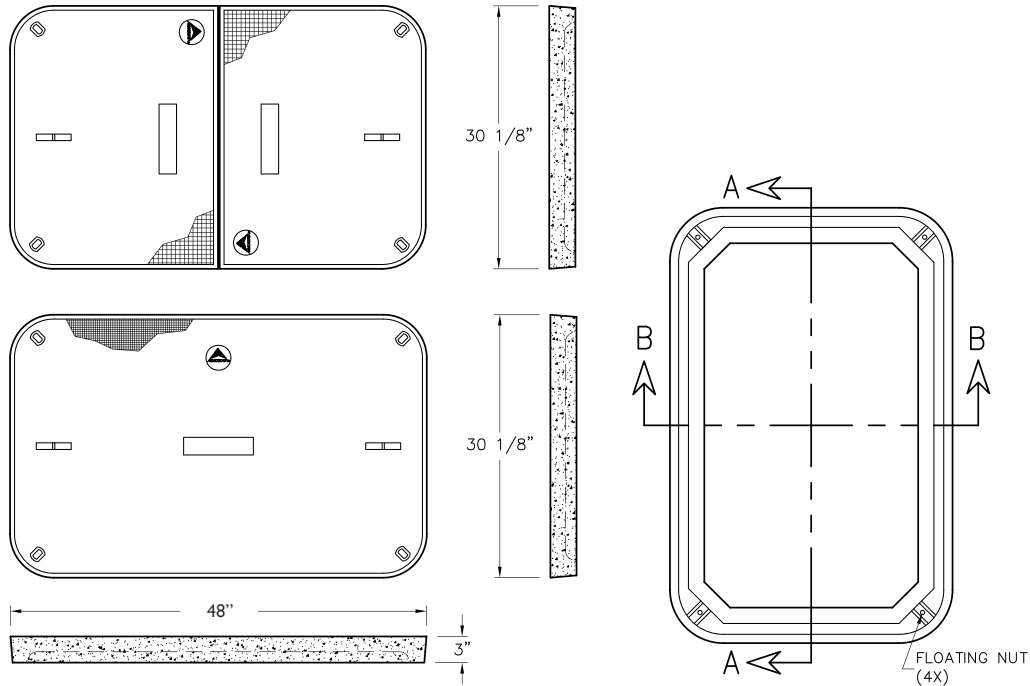
30" x 48" BOX ASSEMBLY

STANDARD DIMENSIONS

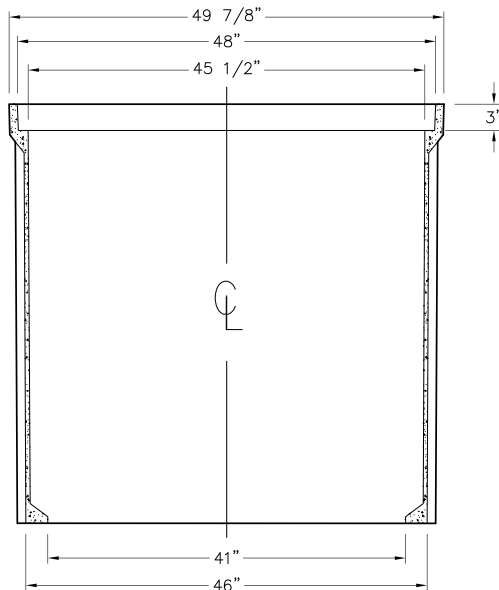
ARMORCAST PRODUCTS COMPANY

POLYMER CONCRETE

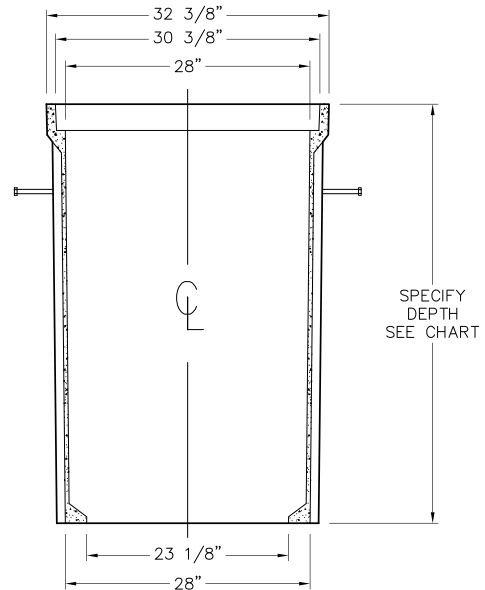
A6001430



POLYMER CONCRETE COVER



SECTION A-A



SECTION B-B

POLYMER CONCRETE BOX

Armorcast Products Company reserves the right to update or discontinue product information at any time without notice.

© 2012 Armorcast Products Company 12-20

www.armorcastprod.com

Tel: (818) 982-3600 Fax: (818) 982-7742

POLYMER CONCRETE BOXES