

24" x 36" BOX ASSEMBLY

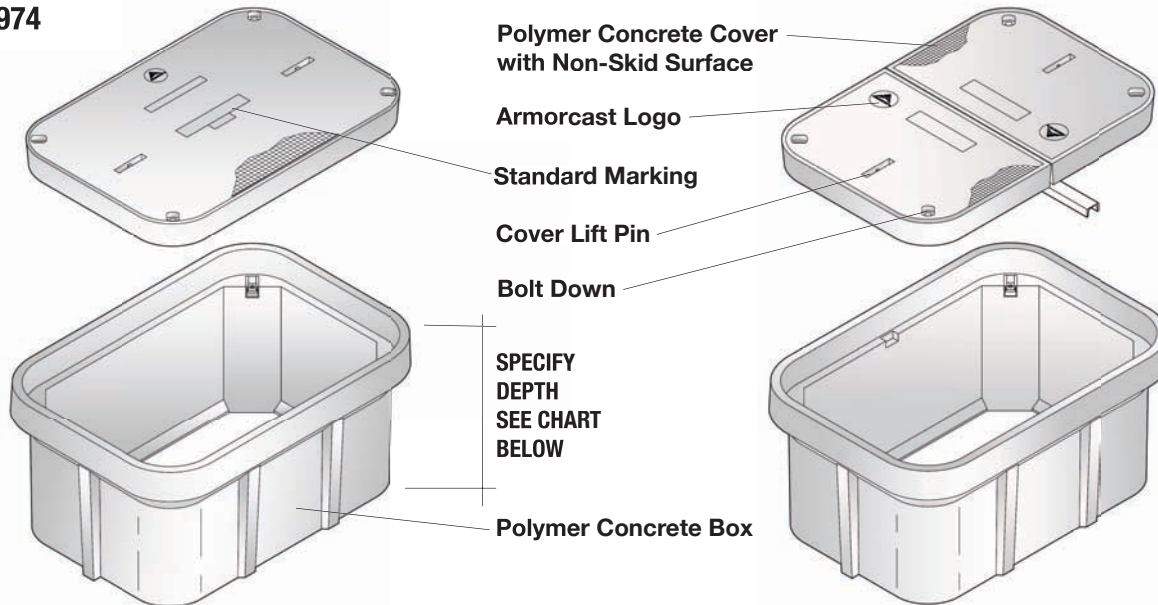
12" to 42" DEPTHS



POLYMER CONCRETE

ARMORCAST PRODUCTS COMPANY

A6001974



24"W x 36"L BOX ASSEMBLIES Specify Depth Below

DESCRIPTION	NOMINAL SIZE W x L x D	LOAD RATING	ANSI TIER	PART NUMBER	APPROX. WEIGHT	PALLET QTY.
Box & Cover Assembly	24" x 36" x 12"	10K	8	A6001974APCX12	195 lbs.	8
	24" x 36" x 12"	20K	15 / 22	A6001974TAPCX12 / A6001974HDAPCX12	257 lbs.	8
Box & Cover Assembly	24" x 36" x 18"	10K	8	A6001974APCX18	231 lbs.	4
	24" x 36" x 18"	20K	15 / 22	A6001974TAPCX18 / A6001974HDAPCX18	293 lbs.	4
Box & Cover Assembly	24" x 36" x 24"	10K	8	A6001974APCX24	277 lbs.	2
	24" x 36" x 24"	20K	15 / 22	A6001974TAPCX24 / A6001974HDAPCX24	339 lbs.	2
Box & Cover Assembly	24" x 36" x 30"	10K	8	A6001974APCX30	302 lbs.	2
	24" x 36" x 30"	20K	15 / 22	A6001974TAPCX30 / A6001974HDAPCX30	364 lbs.	2
Box & Cover Assembly	24" x 36" x 36"	10K	8	A6001974APCX36	325 lbs.	2
	24" x 36" x 36"	20K	15 / 22	A6001974TAPCX36 / A6001974HDAPCX36	387 lbs.	2
Box & Cover Assembly	24" x 36" x 42"	10K	8	A6001974APCX42	369 lbs.	2
	24" x 36" x 42"	20K	15 / 22	A6001974TAPCX42 / A6001974HDAPCX42	431 lbs.	2

COMPONENTS

DESCRIPTION	NOMINAL SIZE W x L x D	LOAD RATING	ANSI TIER	PART NUMBER	APPROX. WEIGHT	PALLET QTY.
Replacement Covers	24" x 36" - 1 pc.	10K	8	A6001975	95 lbs.	20
	24" x 36" - 1 pc.	20K	15 / 22	A6001975T / A6001975HD	157 lbs.	20
Replacement Covers	24" x 36" - 2 pc.	10K	8	A6001978	54 lbs.	20
	24" x 36" - 2 pc.	20K	15 / 22	A6001978T / A6001978HD (2 pc. Req.)	54 lbs.	20
Replacement Boxes	24" x 36" x 12"	10K / 20K	8 / 15	A6001974PCX12	100 lbs.	8
	24" x 36" x 18"	10K / 20K	8 / 15	A6001974PCX18	136 lbs.	4
	24" x 36" x 24"	10K / 20K	8 / 15	A6001974PCX24	182 lbs.	2
	24" x 36" x 30"	10K / 20K	8 / 15	A6001974PCX30	207 lbs.	2
	24" x 36" x 36"	10K / 20K	8 / 15	A6001974PCX36	230 lbs.	2
	24" x 36" x 42"	10K / 20K	8 / 15	A6001974PCX42	274 lbs.	2

- Boxes are Open Bottom and Stackable, also available with Solid Bottoms.
- For sizes not shown please contact Armorcast Products for more information.

© 2011 Armorcast Products Company 811

www.armorcastprod.com

Tel: (818) 982-3600 Fax: (818) 982-7742

POLYMER CONCRETE BOXES



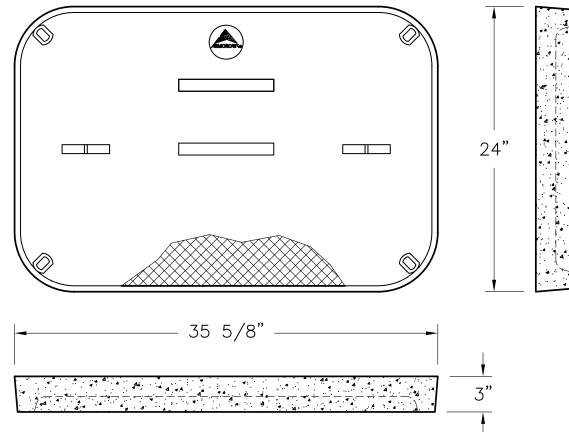
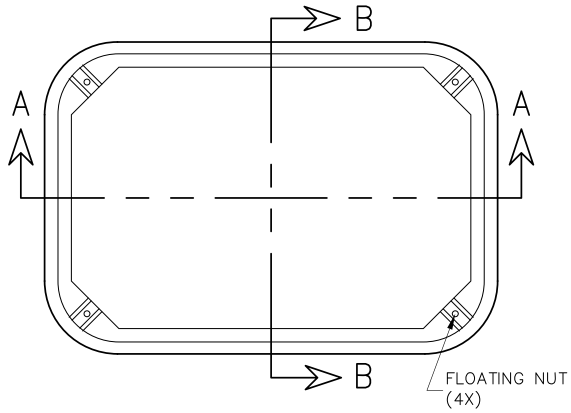
ARMORCAST PRODUCTS COMPANY

24" x 36" BOX ASSEMBLY

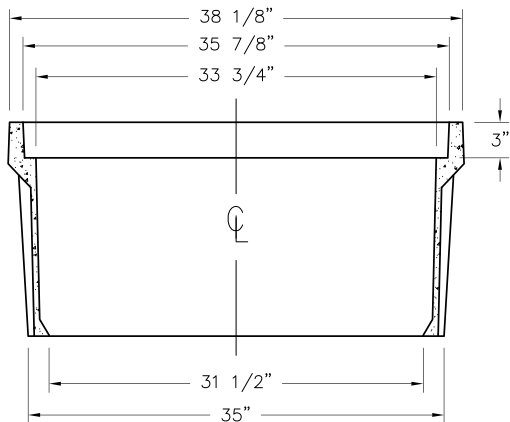
STANDARD DIMENSIONS

POLYMER CONCRETE

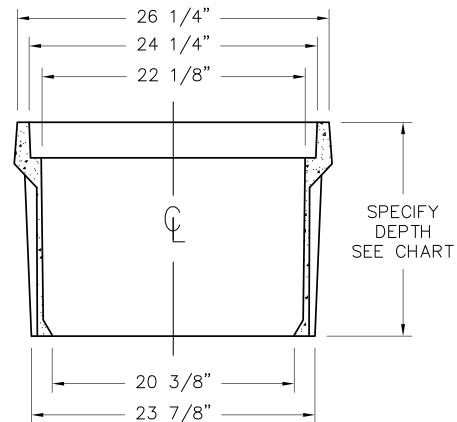
A6001974



POLYMER CONCRETE COVER



SECTION A-A



SECTION B-B

POLYMER CONCRETE BOX

POLYMER CONCRETE BOXES

Armorcast Products Company reserves the right to update or discontinue product information at any time without notice.

© 2011 Armorcast Products Company 811

www.armorcastprod.com

Tel: (818) 982-3600 Fax: (818) 982-7742