



GENERAL USE PARALLEL GROOVE ALUMINUM MULTI-TAP STREET LIGHT CONNECTOR

ALUMINUM
GO32

For: Aluminum to copper or Aluminum conductor

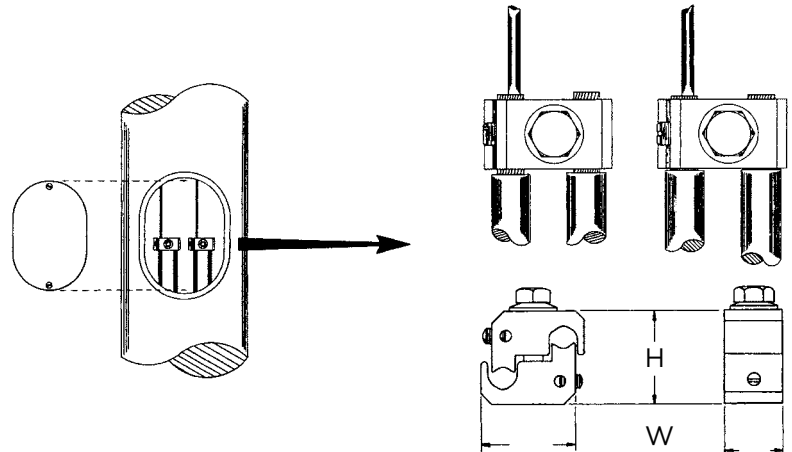
Application

The Fargo GO32 Multiple Tap Connector is designed for making street light connections in the limited space provided in tubular street light poles.

Description

- High strength, extruded aluminum alloy.
- Permanent contact pressure provided by use of high strength steel bolt and stainless steel Belleville washer.
- Run conductor can be “looped” through the connector eliminating the need to cut the conductor.
- Compact design allows use in even the smallest “handholes” provided in street light poles or bases.
- Optional slip-over Plastisol boot (Catalog No. GO32B) is available for insulating the phase conductor. Inhibitor loading furnished standard.

Material: **Body** – Aluminum Alloy
Hardware – Stainless Steel



MULTIPLE STREET LIGHT TAP CONNECTOR

DD
13

Product Data & Conductor Size

CATALOG NUMBER	CONDUCTOR RANGE*		DIMENSIONS INCHES (MM)			WT LB (KG)	INSULATING COVER
	RUN	TAP	L	W	H		
GO32	#6-1/0	#12-#8	1.25 (31.81)	0.75 (19.09)	1.50 (38.18)	.09 (.04)	GO32B**

* GO32 will accept two (2) #6 sol. through 1/0 aluminum run conductors, as well as two (2) #12 through #8 AL/CU tap conductors.

** Order GO32K to receive connector and cover as a kit.