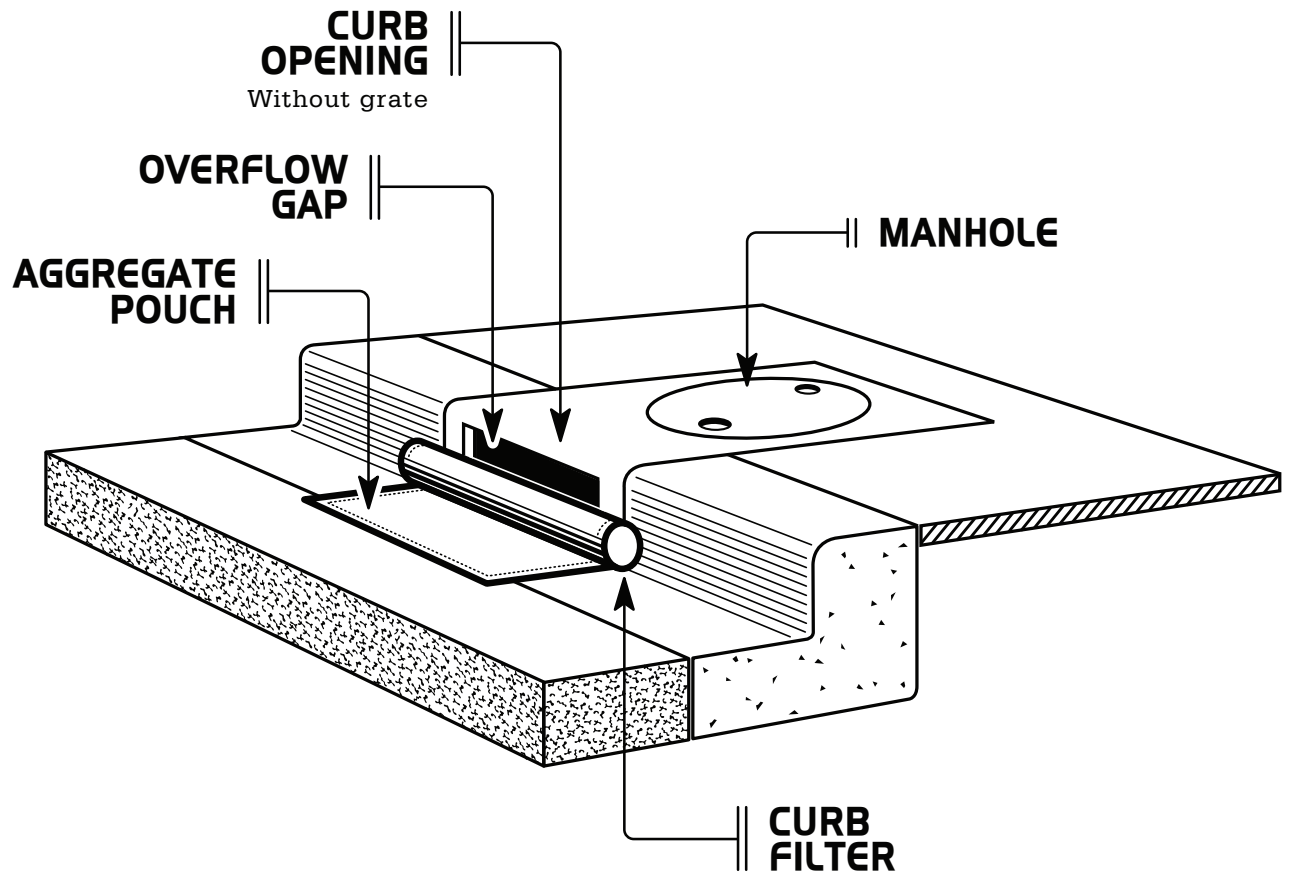


▶ **DANDY CURB™** ◀



DANDY CURB®
GRATELESS CURB INLET AND MEDIAN BARRIER INLET
PROTECTION SYSTEM GUIDE SPECIFICATION

PRODUCT:

DANDY CURB®

MANUFACTURER:

Dandy Products Inc.
P.O. Box 1980
Westerville, Ohio 43086
Phone: 800-591-2284
Fax: 740-881-2791
E mail dlc@dandyproducts.com
Web www.dandyproducts.com

1.0 Description:

1.1 Work covered under this item consists of installing a Dandy Curb® inlet protection system for inlets and median barrier inlets without grates. The purpose is to keep silt, sediment and construction debris out of the storm system.

2.0 Material:

2.1 The Dandy Curb® inlet protection system shall be a **sewn in the U.S.A.** fabric unit enclosing a porous structure in the form of a cylindrical tube placed in front of and extending beyond the inlet opening on both sides.

2.2 The Dandy Curb® inlet protection system shall have a pouch on the street side of the sewn unit for aggregate or other material to hold the unit in place.

2.3 The Dandy Curb® unit shall utilize an orange monofilament fabric that is manufactured in the U.S.A. with the following characteristics:

PROPERTY	TEST METHOD	UNITS	TEST RESULTS
Grab Tensile Strength	ASTM D 4632	lbs	450 x 300
Grab Tensile Elongation	ASTM D 4632	%	40 x 25
Puncture Strength	ASTM D 4833	lbs	130
Mullen Burst Strength	ASTM D 3786	psi	600
Trapezoid Tear Strength	ASTM D 4533	lbs	165 x 150
% Open Area (POA)	COE - 22125-86	%	28
Apparent Opening Size	ASTM D 4751	US Std Sieve	30
Permittivity	ASTM D 4491	sec ¹	3.5
Permeability	ASTM 4491	cm/sec	0.25
Water Flow Rate	ASTM 4491	gal/min/ft ²	250
Ultraviolet Resistance	ASTM D 4355	%	70

Color			Orange ¹
-------	--	--	---------------------

¹The color orange is a trademark of Dandy Products, Inc.

The property values listed above are effective October 2010 and are subject to change without notice.

3.0 Installation:

3.1 Place Dandy Curb® inlet protection unit on ground with aggregate pouch on street side near inlet it will be installed on.

3.2 *For oil and sediment model, to install or replace absorbent, place absorbent sock in pouch.*

3.3 Fill pouch with aggregate such as #5-7, 8's or similar to a level (at least ½ full) that will keep unit in place during a rain event and create a seal between the Dandy Curb® and the surface of the street. Reseal Velcro access.

3.4 Center the unit against curb or median inlet opening so that the curb side of the unit creates a seal with the curb or median barrier and inlet structure. There will be approximately twelve (12) inches of the inlet protection unit overhanging on each side of the opening. If the unit is not installed in this manner, it will not function properly.

4.0 Maintenance:

4.1 The contractor shall remove all accumulated sediment and debris from surface and vicinity of unit after each rain event or as directed by engineer/inspector. Dispose of unit no longer in use at an appropriate recycling or solid waste facility.

4.2 *For oil and sediment model; remove and replace absorbent when near saturation.*

5.0 Method of Measurement:

5.1 The quantity to be paid is for the actual number of Dandy Curb® inlet protection units installed.

6.0 Basis of payment:

6.1 The unit price shall include labor, equipment, and materials necessary to complete the work and maintain the True Dam® inlet protection units.

6.2 Payment for the completed work will be made at the contract prices for:

<u>ITEM</u>	<u>UNIT</u>	<u>DESCRIPTION</u>
Dandy Curb®	EA	Inlet Protection Unit (#_____Inlet)