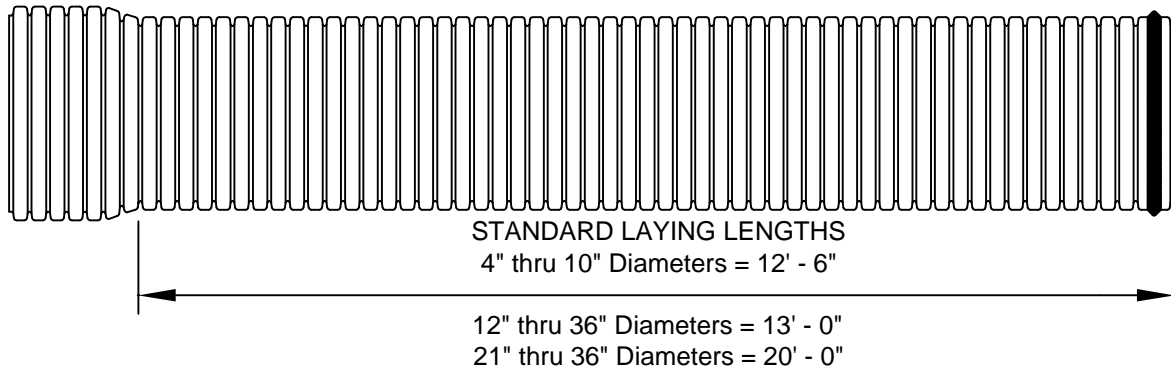


A-2000 PERFORATED PVC DRAINAGE PIPE



| Nominal Diameters (in.) | Average O.D. (Spigot) (in.) | Average O.D. (Bell) (in.) | Average I.D. (in.) | Pipe Stiffness (lbs/in/in) | Standard Perforation Open Area per foot (SQIN) | Fully Perforated Open Area per foot (SQIN) |
|-------------------------|-----------------------------|---------------------------|--------------------|----------------------------|--|--|
| 4 | 4.3 | 4.8 | 3.9 | 46 | 1.92 | |
| 6 | 6.4 | 7.0 | 5.9 | 46 | 1.99 | |
| 8 | 8.6 | 9.4 | 7.9 | 46 | 1.90 | 3.80 |
| 10 | 10.8 | 11.7 | 9.8 | 46 | 1.98 | 3.96 |
| 12 | 12.8 | 13.9 | 11.7 | 46 | 2.00 | 4.00 |
| 15 | 15.7 | 16.9 | 14.3 | 46 | 2.00 | 4.00 |
| 18 | 19.2 | 20.6 | 17.6 | 46 | 2.00 | 4.00 |
| 21 | 22.6 | 24.6 | 20.7 | 46 | * 2.70 | 5.40 |
| 24 | 25.6 | 27.9 | 23.5 | 46 | * 2.70 | 5.40 |
| 30 | 32.2 | 35.1 | 29.5 | 46 | * 2.20 | 4.40 |
| 36 | 38.7 | 42.3 | 35.5 | 46 | * 2.00 | 4.00 |

* Open Area based upon 3/8" Ø round holes

SPECIFICATION

Scope:

This specification includes materials, test methods and installation requirements for 4 to 36-inch diameter polyvinyl chloride (PVC) corrugated pipe with a smooth interior. The requirements of this specification are intended to provide perforated pipe and fittings suitable for underground use in non-pressure applications such as sub-drainage and underdrains.

Pipe:

PVC corrugated pipe with a smooth interior shall conform to the requirements of ASTM Designation F949 & F794 Dual Wall Corrugated Profile (DWCP) Pipe. Pipe and fittings shall be homogeneous throughout and free from visible cracks, holes, foreign inclusions or other injurious defects. Pipe shall be manufactured to 46 psi stiffness when tested in accordance with ASTM Test Method D2412. There shall be no evidence of splitting, cracking or breaking when the pipe is tested per ASTM Test Method D2412 and F949 section 7.5. The pipe shall be made of PVC compound having a minimum cell classification of 12454B as defined in ASTM Specification D1784.

Fittings:

All fittings for PVC corrugated sewer pipe with a smooth interior shall conform to ASTM F949, Section 5.2.3 or F794, Section 7.2.4. To insure compatibility, the pipe manufacturer shall provide all fittings.

Joints:

All joints shall be made with integrally-formed bell and spigot gasketed connections. Elastomeric seals (gaskets) shall meet the requirements of ASTM Designation F477.

Perforations:

For slotted, standard perforated pipe, the perforation dimensions shall be in accordance with ASTM F949 table 5 and section 7.9. Instead of slots, round holes (min. 1/4" Ø) may be used for 15"-36" diameter pipe.