

INSIDE CAGE

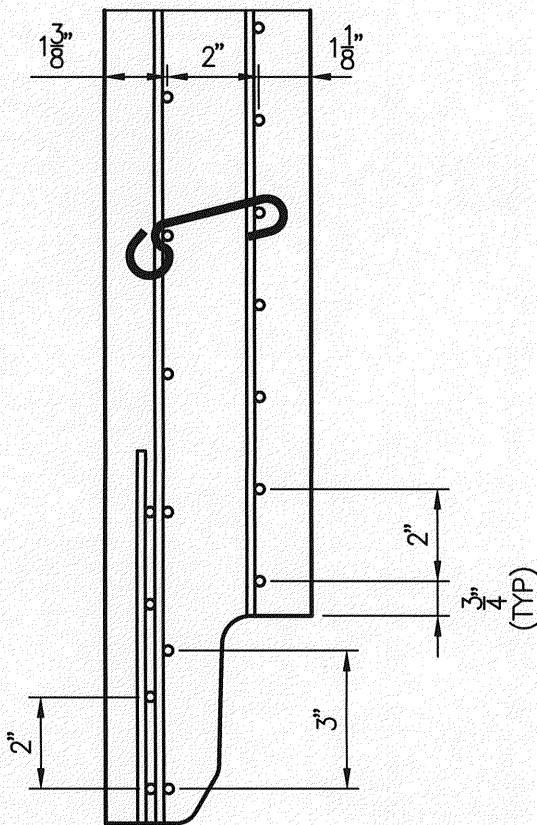
2x6 W3.5/W2.5 x 93"
 25 SPACES, 11.0" LAP
 44.25" DIA., 150" LG.
 AREA REQ'D.= 0.21
 AREA USED = 0.21

OUTSIDE CAGE

3x6 W3.5/W2.5 x 93"
 27 SPACES, 10.4" LAP
 48.25" DIA., 162" LG.
 AREA REQ'D.= 0.13
 AREA USED = 0.14

BELL HOOP

2x6 W2.5/W2.5 x 10"
 28 SPACES, 13.3" LAP
 49.25" DIA., 168" LG.
 AREA REQ'D.= 0.13
 AREA USED = 0.15



14 SPACERS REQ'D.

PLACED AT 24" ON CENTER
 7 AT 10" DOWN FROM TOP
 7 AT 14" UP FROM BOTTOM

CONFIDENTIAL – CRETEX USE ONLY

KANSAS CITY CONCRETE PIPE CO.				42" B WALL	CLASS III
SCALE: 1/4 SIZE	DRAWN BY: <i>SP</i>			CX-3 JOINT	ASTM C76
DATE: 3-29-00	APPROVED BY: <i>N</i>				
REVISION: 1	2	3			