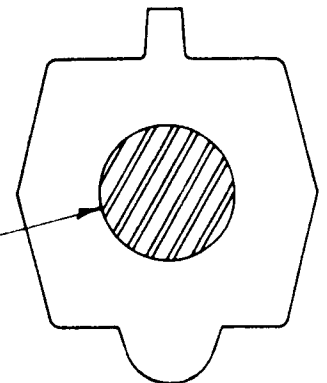
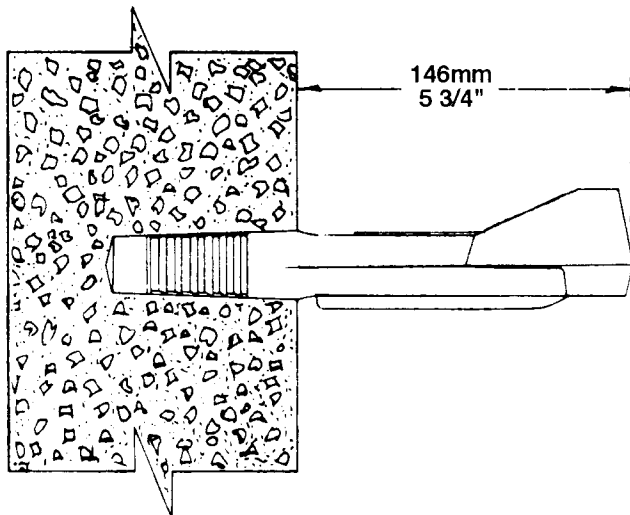


**Copolymer Polypropylene Plastic**

13mm  
1/2" **GRADE 60 STEEL REINFORCEMENT**



**SECTION-A**



**MEETS: ASTM-C-478  
ASTM-D-4101  
ASTM-A-615  
AASHTO-M-199**

**M . A . I N D U S T R I E S , I N C .**

