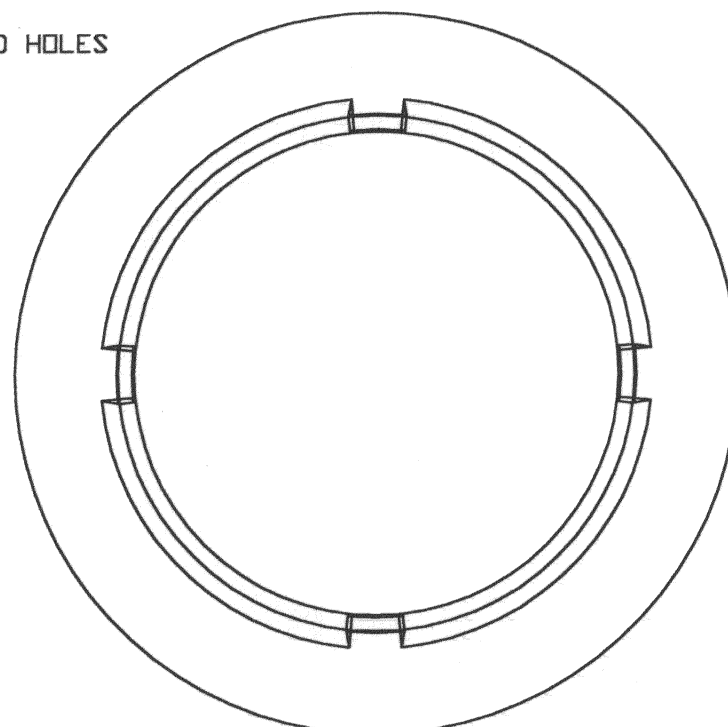
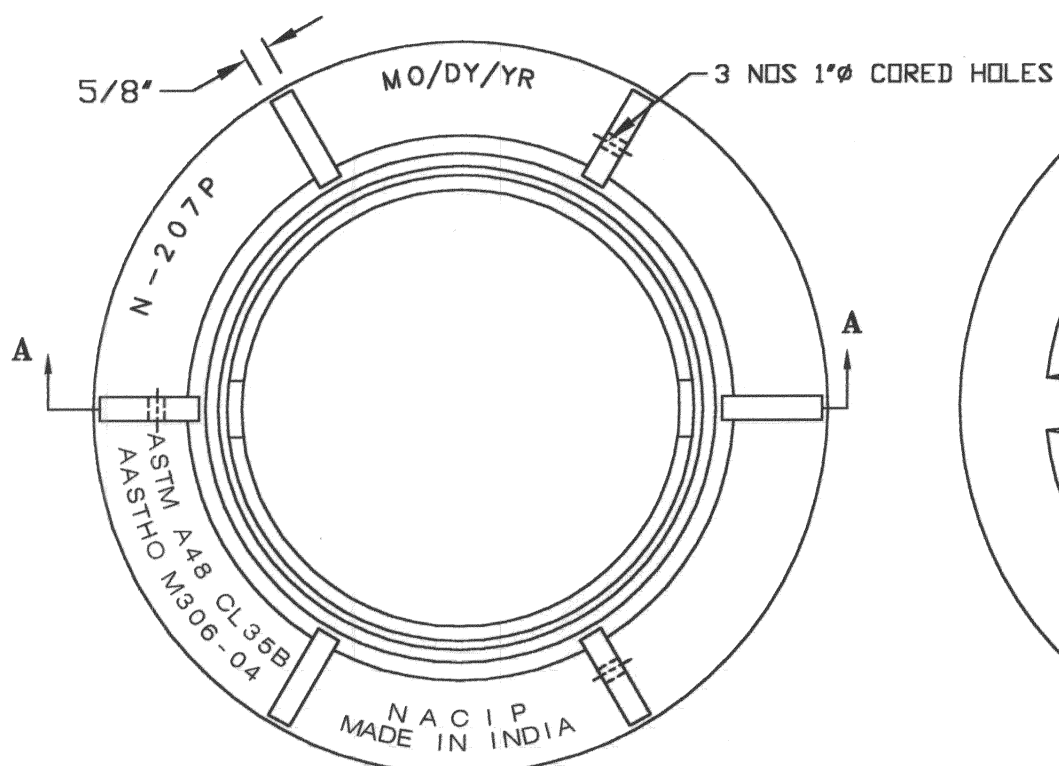
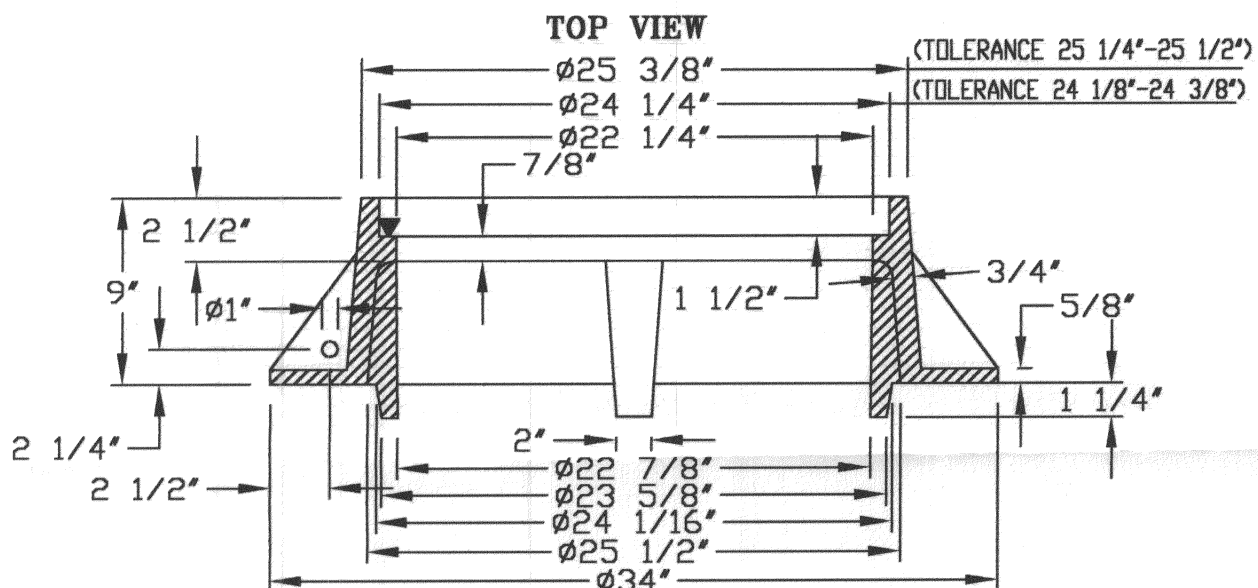


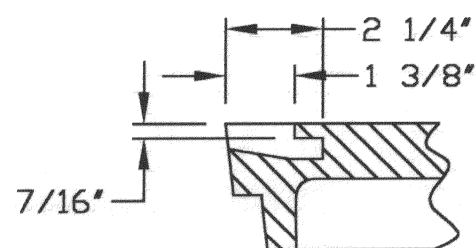
Heavy Duty FRAME & COVER



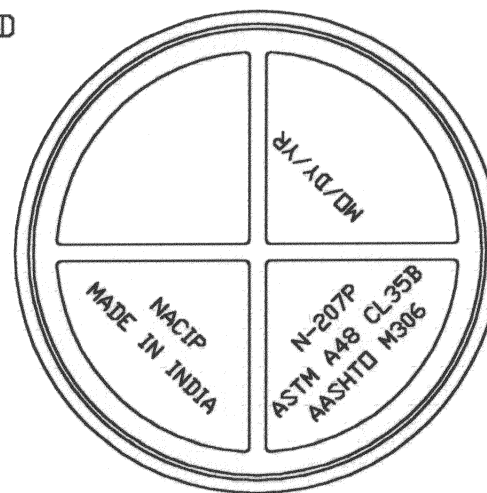
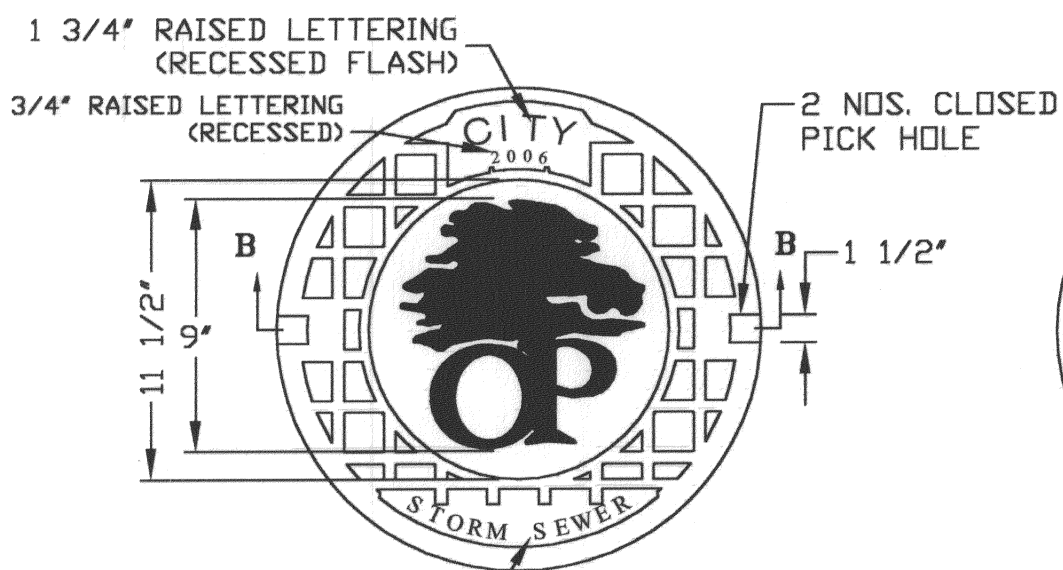
FRAME BOTTOM VIEW



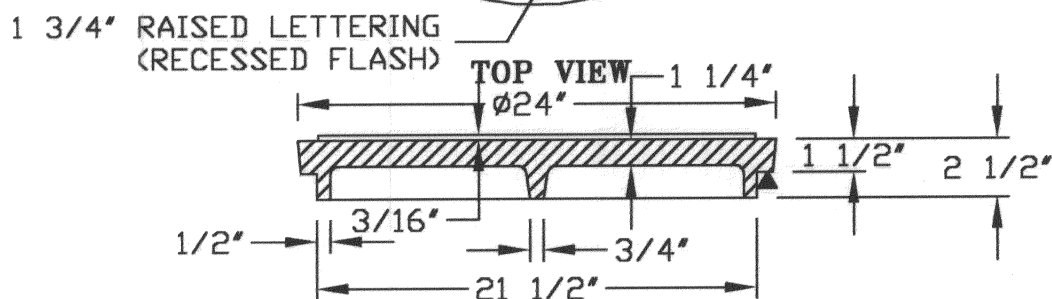
SECTION A-A



PICKHOLE DETAIL



COVER BOTTOM VIEW



SECTION B-B

WEIGHT
 COVER 161 LBS. (±8 LBS.)
 FRAME 234 LBS. (±11.75 LBS.)

**MATERIAL:- CONFORMS TO ASTM A48 CLASS 35B AND AASHTO M 306-04
 SUITABLE FOR AASHTO H20-S16 HIGHWAY LOADING**

NACIP INC.

N-207P

55 Princeton Hightstown Road, Princeton Junction, NJ 08550 Toll Free: 888-506-6217

Heavy Duty FRAME & COVER

NOTES:-

1. CASTING SHALL COMPLY WITH ASTM A-48 AND AASHTO M-306-04.
2. AS-CAST DIMENSION MAY BE VARY $\pm 1/16"$ PER FOOT.
3. EACH CASTING SHALL BE MARKED IN ACCORDANCE WITH AASHTO M 306-4,SEC.9.
4. THE LETTERS "DP" ON THE LOGO SHALL BE RAISED RELATIVE TO THE TREE. THE TREE SURFACE SHALL BE IRREGULAR.
5. RAISED SURFACE SHALL BE CAST AS NON-SKID FINISH.
6. THE SURFACES LABELED ON THOSE DETAILS AS ▼ SHALL BE MACHINED.
7. FOR PRIVATE SYSTEM OMIT OVERLAND PARK LOGO AND LETTERING.
8. POINT IS OPTIONAL UNLESS SPECIFIED.

MATERIAL:- CONFORMS TO ASTM A48 CLASS 35B AND AASHTO M 306-04
SUITABLE FOR AASHTO H20-S16 HIGHWAY LOADING

NACIP INC.

N-207P

55 Princeton Hightstown Road, Princeton Junction, NJ 08550 Toll Free: 888-506-6217