

MANHOLE CASTING NOTES :

1. Casting shall comply with ASTM A-48 and AASHTO M306-04
2. As-cast dimension may vary $\pm \frac{1}{16}$ Inch per foot.
3. Each casting shall be marked in accordance with AASHTO M 306-04. Sec.9.
4. A full scale drawing of the Overland Park City Logo shall be obtained through the City.
5. The letters "OP" on the Logo shall be raised relative to the tree. The tree surface shall be irregular.
6. Raised surfaces shall be cast as non-skid finish.
7. The surfaces labeled on these details as ∇ shall be machined.
8. For private systems omit Overland Park Logo and lettering.
9. Paint is optional unless specified.

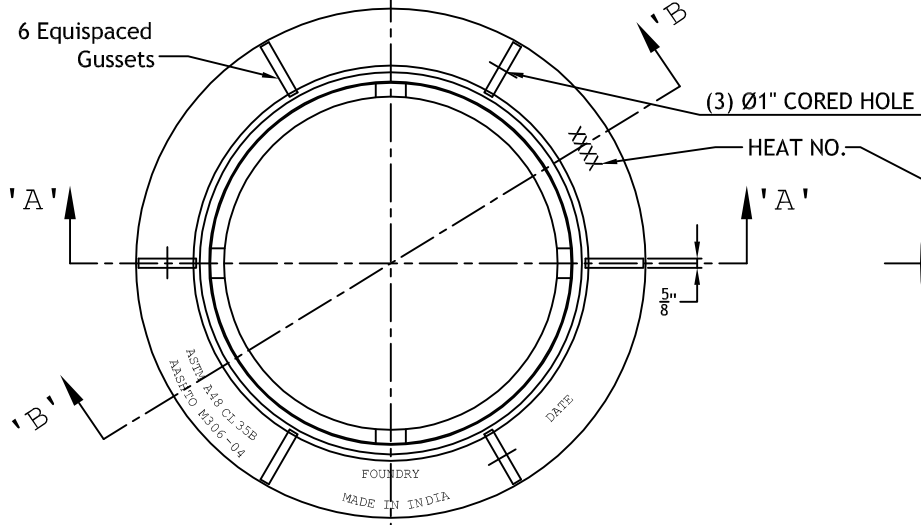
01	Letter ht. changed & Weight changed as per drg.	24.03.06	
REV	ALTERATION	EFFECTIVE	SIGN/DATE

MATERIAL: C.I - ASTM 48 CL-40			
TITLE: MANHOLE COVER	CKD.	Drawn	Date
	MNV	SHANMUKH	22.03.06
DRG.NO: SMC 2206 OP SHEET 04 OF 04	USER	UNITS	REV.
	C	INCHES	01
		SCALE	NTS
GCI CASTINGS INC.			
P.O. BOX. NO. 4125, BONNER INDL. DRIVE, SHAWNEE MISSION, KANSAS 66226, USA.			

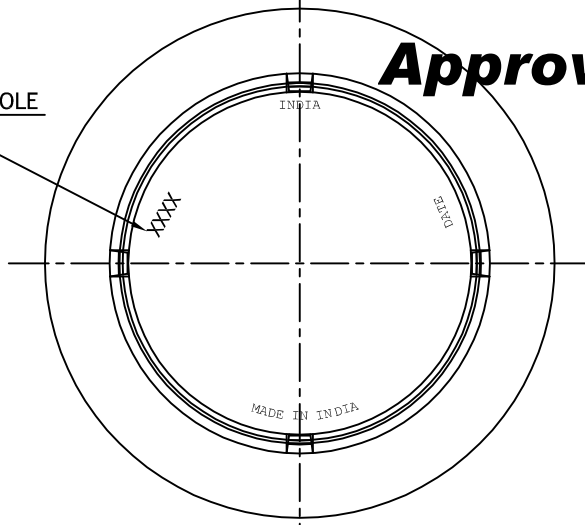
WEIGHT :
Cover 150 lbs (± 8 lbs.)

~~Heavy Duty Frame & Cover .~~
~~Clay & Bailey No. 2007MR~~
~~Deeter No. 1320~~
~~East Jordan Iron Works No. 1502~~
~~or Approved Equal~~

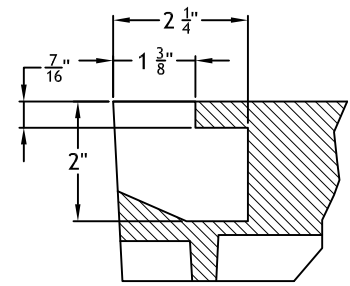
Approved as Noted



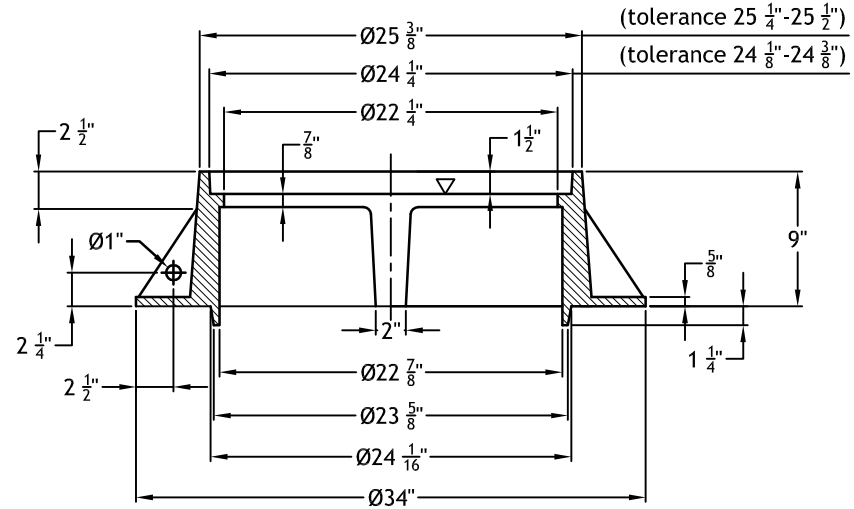
TOP VIEW



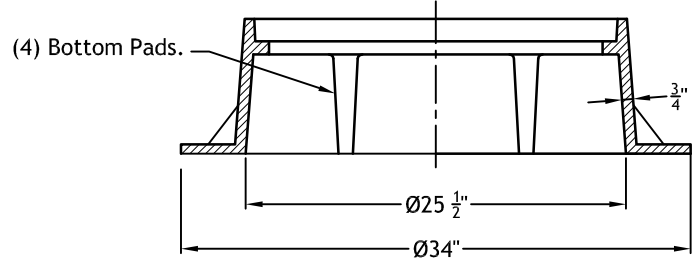
BOTTOM VIEW



PICKHOLE DETAIL



SECTION AT A-A



SECTION AT B-B

MANHOLE CASTING NOTES :

1. Casting shall comply with ASTM A-48 and AASHTO M306-04
2. As-cast dimension may vary $\pm \frac{1}{16}$ Inch per foot.
3. Each casting shall be marked in accordance with AASHTO M 306-04. Sec.9.
4. A full scale drawing of the Overland Park City Logo shall be obtained through the City.
5. The letters "OP" on the Logo shall be raised relative to the tree. The tree surface shall be irregular.
6. Raised surfaces shall be cast as non-skid finish.
7. The surfaces labeled on these details as ∇ shall be machined.
8. For private systems omit Overland Park Logo and lettering.
9. Paint is optional unless specified.

~~Heavy Duty Frame & Cover :~~
~~Clay & Bailey No. 2007MR~~
~~Deeter No. 1320~~
~~East Jordan Iron Works No. 1502~~
~~or Approved Equal~~

WEIGHT :
 Frame 234 lbs. (± 11.75 lbs)

01	Section "B"-B Added	24.03.06	
REV	ALTERATION	EFFECTIVE	SIGN/DATE
MATERIAL: C.I -ASTM 48 CL-40			
TITLE:		CKD, Drawn	Date
MANHOLE FRAME		MNV SHANMUKH	22.03.06
DRG.NO:		USER	UNITS
SM 2206 OP		C	REV.
SHEET 01 OF 04			INCHES
			SCALE
			NTS
GCI CASTINGS INC.			
P.O.BOX.NO.4125, BONNER INDL. DRIVE, SHAWNEE MISSION, KANSAS 66226, USA.			