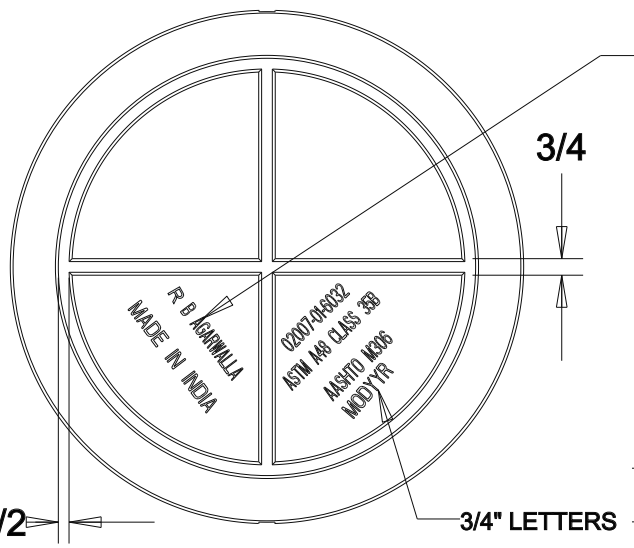
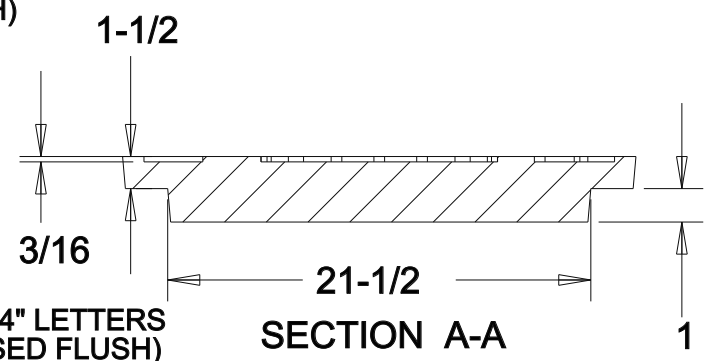
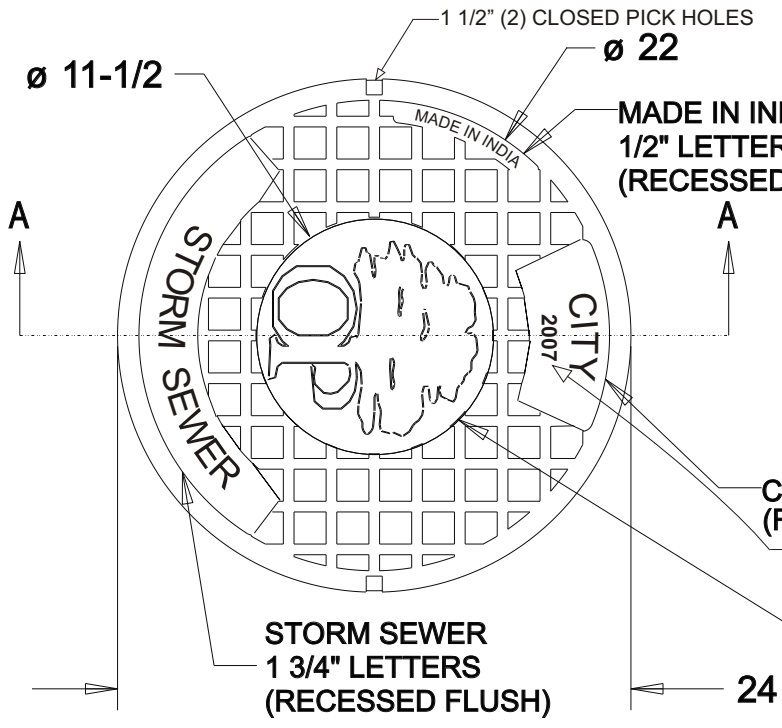


A	REVISED DIMENSIONS	04/13/07	DRD
---	--------------------	----------	-----

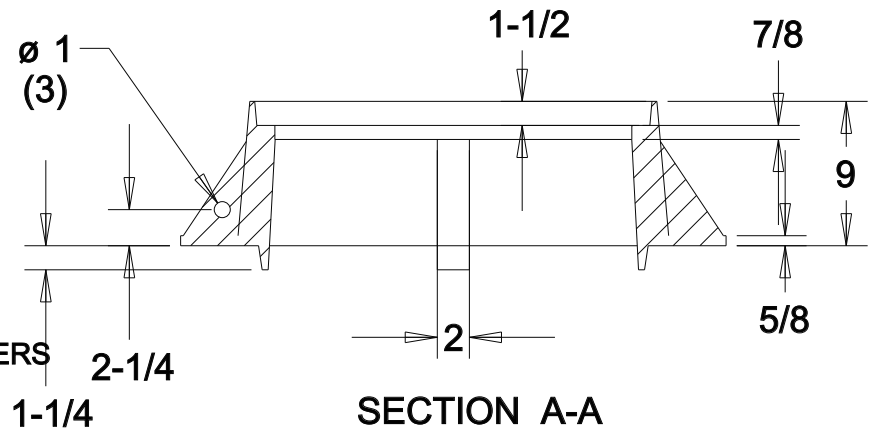
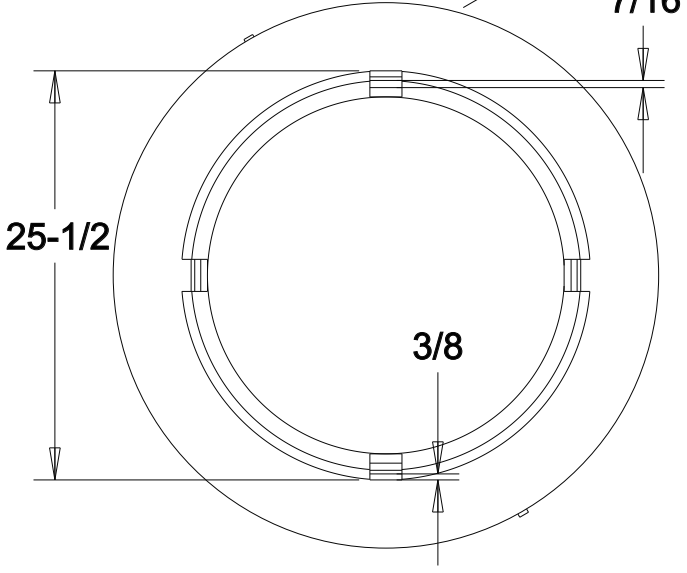
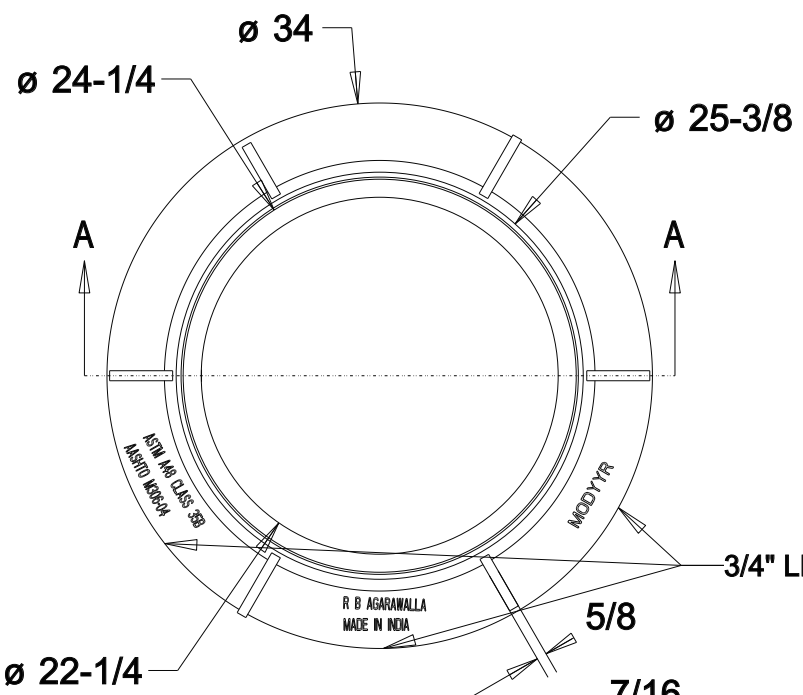


MATERIAL: ASTM A48
 CLASS 35B
 CAST IRON

WT: 161 LBS. +/- 8 LBS.

SCALE: 1/8

CLAY & BAILEY MFG. CO.			
MANHOLE COVER			
		02007-01-6032	
DATE: 09/13/06			



MATERIAL:ASTM A48 CLASS 35B CAST IRON	CLAY & BAILEY MFG. CO.		
	MANHOLE RING		
WT:234 LBS. +/-11.75 LBS.		02007-01-6150	
SCALE:3/32	DATE:09/18/06		