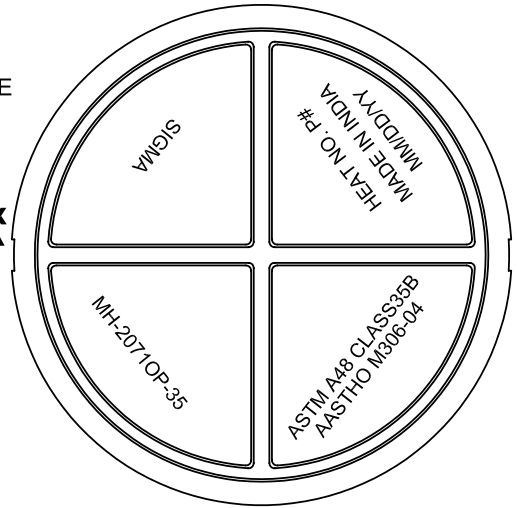
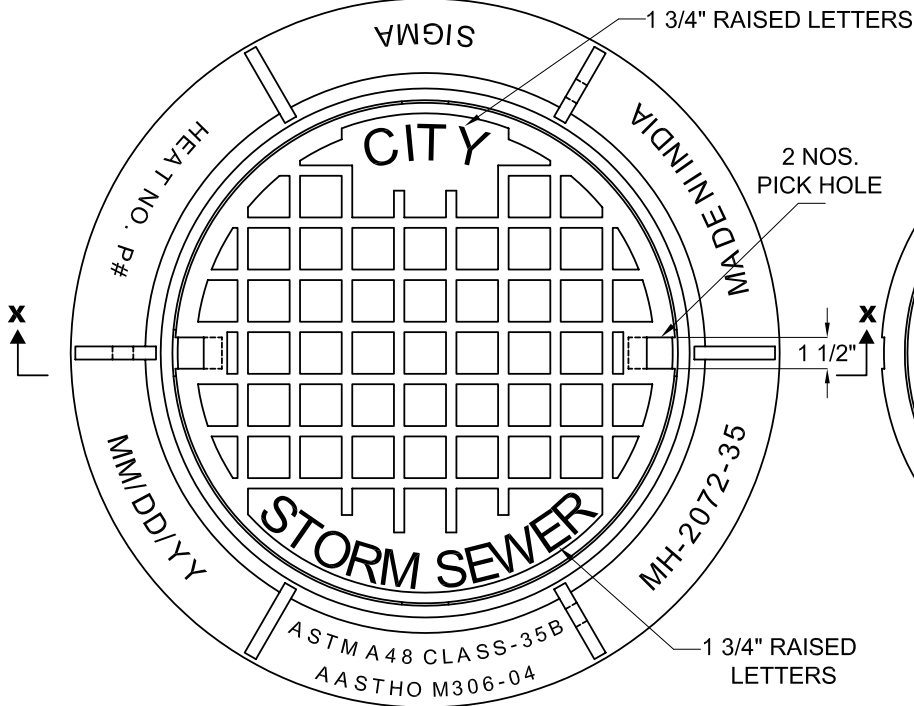
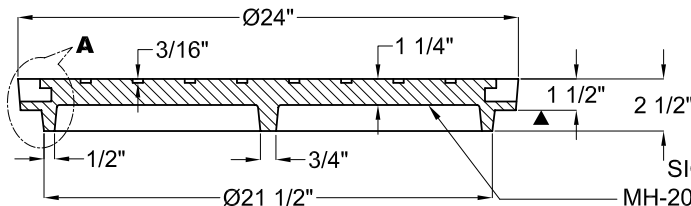


DRG. NO.
MH-207OP-35

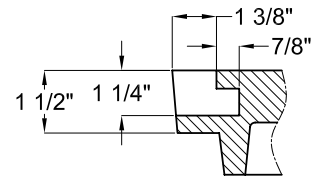


BOTTOM VIEW (COVER)

PLAN VIEW

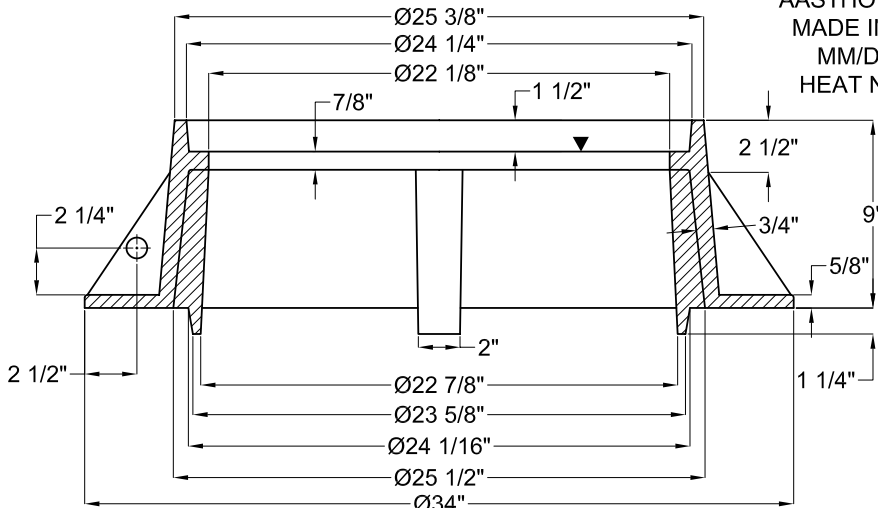


SEC. X-X (COVER)



DETAILS OF 'A'

SIGMA
MH-2071OP-35
ASTM A48 CLASS35B
AASHTO M306-04
MADE IN INDIA
MM/DD/YY
HEAT NO., P#



SEC. X-X (FRAME)

MH-2071OP-35-- 153 LBS.
MH-2072-35-- 230 LBS.

TOLERANCE SHOULD BE ±1/16", UNLESS OTHERWISE SPECIFIED

MATERIAL: Cast Iron ASTM A48 Class 35B Meets H20 Loading Standards As per AASHTO M306-04		DESCRIPTION: 9" RING & 24" OVERLAND PARK COVER MARKED "CITY STORM SEWER"			REV.- "0"
COATING: PAINTED/UNPAINTED					
DRN. BY: 23.02.10 B. DUTTA	CHECKED BY: ASHIS DEY	WEIGHT: 383 LBS. (SET)	ISSUED ON: 23.02.10	APPVD. ON:	