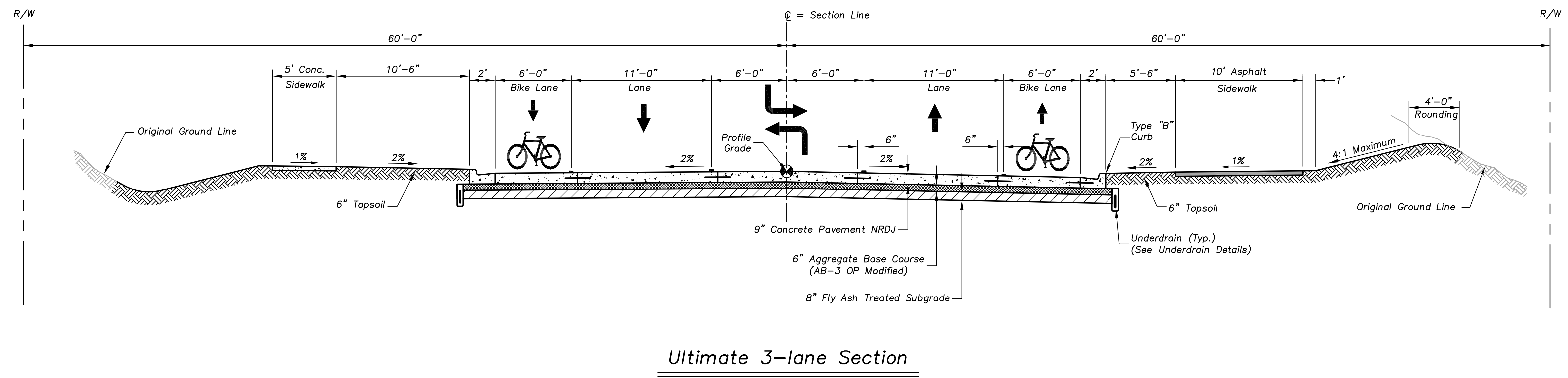
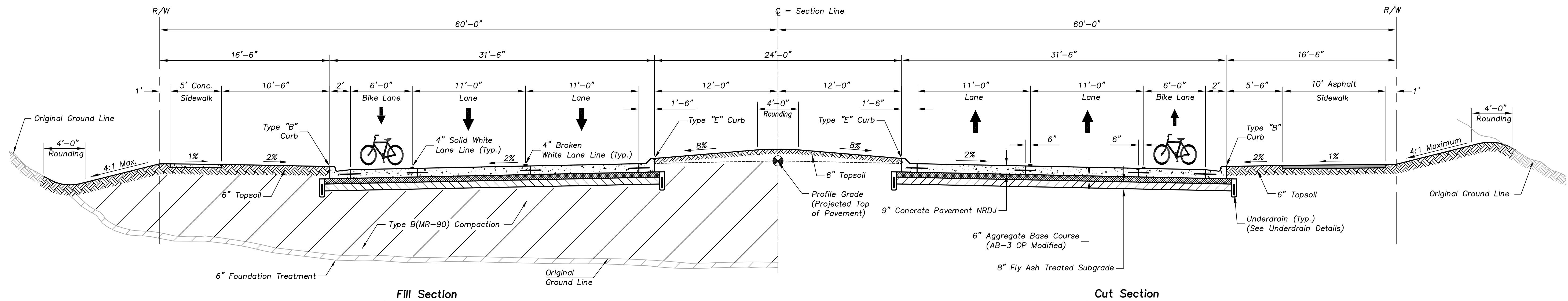


January 10, 2019 - 10:03 AM rldelson
 K:\Details_Specs\Detail_Drawings\extras_english\Typical Sections - Thoroughfare Ultimate & Interim-Jan-2019.dwg



CITY OF OVERLAND PARK
 DEPARTMENT OF PUBLIC WORKS

NO.	DATE	REVISIONS	BY
1			
2			
3			

THOROUGHFARE TYPICAL SECTIONS

SHEET NO.	TOTAL SHEETS
1	1