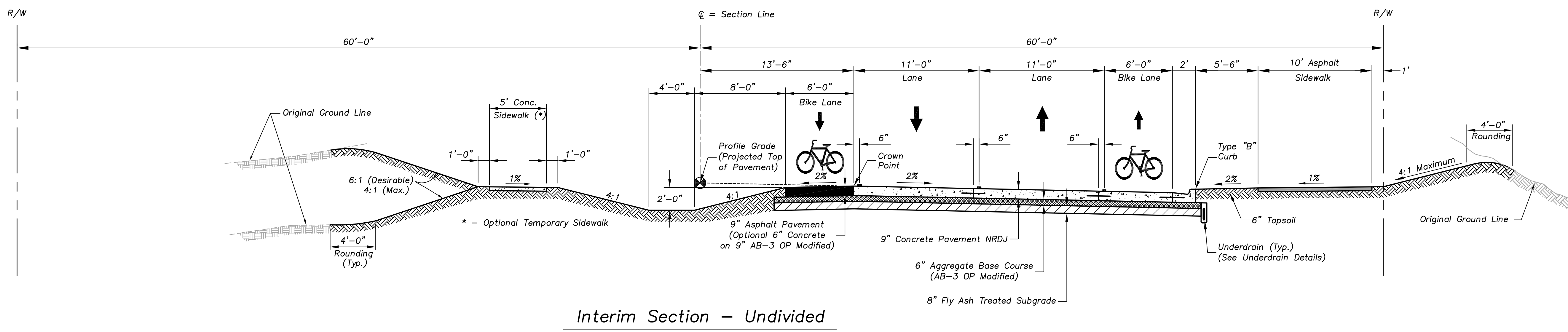
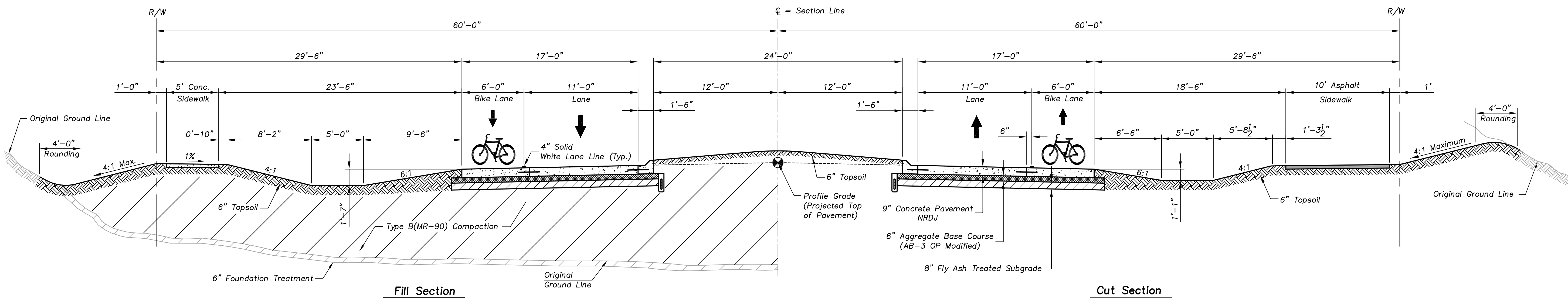


NO.	DATE	REVISIONS	BY
1			
2			
3			

SHEET NO.	TOTAL SHEETS
1	1

THOROUGHFARE TYPICAL SECTIONS



January 10, 2019 - 10:03 AM ridelson
K:\Details_Specs\Detail_Drawings\extras\english\Typical Sections - Thoroughfare Ultimate & Interim-Jan-2019.dwg