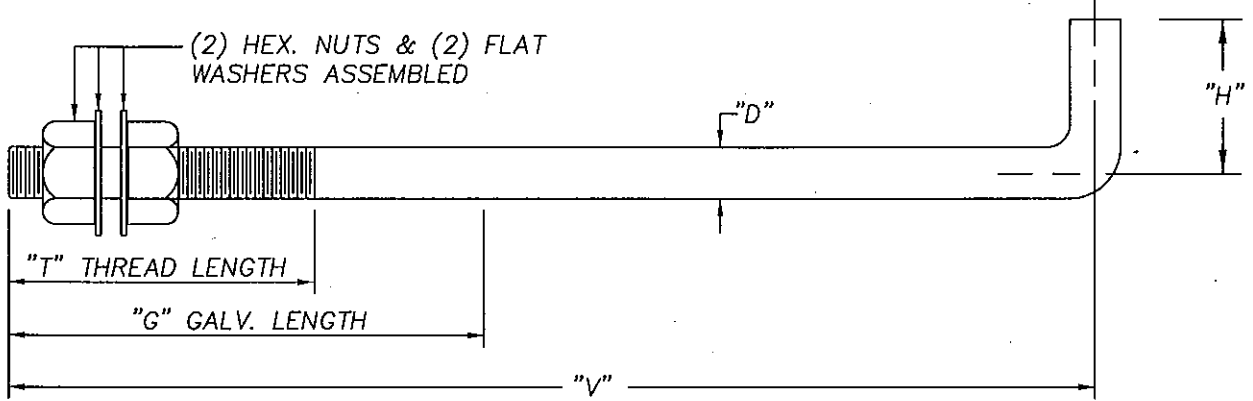


| | |
|---------|--------------|
| FINISH | ASSEMBLY No. |
| CHARTED | CHARTED |



NOTE: DV = V + H

SPECIFY R(ROLLED); OR C(CUT) SUFFIX

| CONTROL NO. | "D"x"DV" | "V" | "H" | "T" | "G" |
|-------------|---------------|------|-----|-----|------|
| 311367 | 1" x 40" | 36" | 4" | 12" | 16" |
| 311460 | 1 1/2" x 120" | 114" | 6" | 9" | 14" |
| 311645 | 1 3/4" x 90" | 84" | 6" | 9" | FULL |
| 311646 | 2" x 90" | 84" | 6" | 9" | FULL |
| 311655 | 3/4" x 30" | 26" | 4" | 4" | FULL |
| 311656 | 1 1/4" x 48" | 42" | 6" | 8" | 14" |
| 311657 | 1 1/2" x 60" | 54" | 6" | 9" | 14" |
| 311658 | 1 3/4" x 90" | 84" | 6" | 9" | 14" |
| 311659 | 2" x 90" | 84" | 6" | 9" | 15" |
| 311672 | 1 3/4" x 46" | 40" | 6" | 9" | 14" |
| 312246 | 1" x 40" | 36" | 4" | 10" | FULL |
| 312247 | 1" x 62" | 58" | 4" | 10" | FULL |
| 312338 | 1 1/4" x 48" | 44" | 4" | 6" | FULL |
| 312406 | 2" x 90" | 84" | 6" | 10" | 18" |


SPECIFY R(ROLLED); OR C(CUT) SUFFIX

| CONTROL NO. | "D"x"DV" | "V" | "H" | "T" | "G" |
|-------------|---------------|------|-----|-----|------|
| 311692 | 2 1/4" x 96" | 90" | 6" | 10" | FULL |
| 311741 | 1 1/2" x 60" | 54" | 6" | 9" | FULL |
| 311757 | 1" x 30" | 26" | 4" | 6" | 12" |
| 311781 | 3" x 144" | 135" | 9" | 12" | 24" |
| 311812 | 1 1/4" x 48" | 42" | 6" | 8" | FULL |
| 311837 | 2 1/4" x 96" | 90" | 6" | 10" | 16" |
| 311977 | 1 3/4" x 48" | 42" | 6" | 9" | FULL |
| 311978 | 2" x 46" | 40" | 6" | 9" | FULL |
| 312035 | 2 1/2" x 114" | 108" | 6" | 11" | 16" |
| 312174 | 2 1/4" x 96" | 87" | 9" | 12" | 16" |
| 312428 | 3/4" x 22" | 18" | 4" | 6" | FULL |
| 312429 | 1 1/4" x 64" | 58" | 6" | 8" | 12" |
| 312437 | 2" x 66" | 60" | 6" | 9" | 15" |
| 312617 | 1" x 42" | 36" | 6" | 10" | FULL |

SEE STANDARD
PRODUCT PROCEDURE
NO. 18
FOR THREAD DETAILS

AASHTO = M314, GR 55 A.BOLT = A36, M55
ASTM = F1554 GR55 THREADS = NC2A FIT
HEX. NUTS = A563, GR A
H.D. GALV. = A153
WASHER = F436

REVISION
R2.5

| | | | | | | |
|-----------|-----------------------------|------|--------|-----|---|--|
| | | | | | ANCHOR BOLTS | |
| | | | | |  UNION METAL CORPORATION | |
| R2 | ADDED CONTROL NUMBER 312338 | MSW | 1/3/07 | JN | NAME: MAS | |
| R1 | ADD ASTM SPEC | TMB | 2-6-97 | | DATE: 3/10/92 | |
| REV | DESCRIPTION | NAME | DATE | CHK | DRAWING No. | |
| REVISIONS | | | | | B100-A67 | |
| | | | | | CHECKED: DLG | |