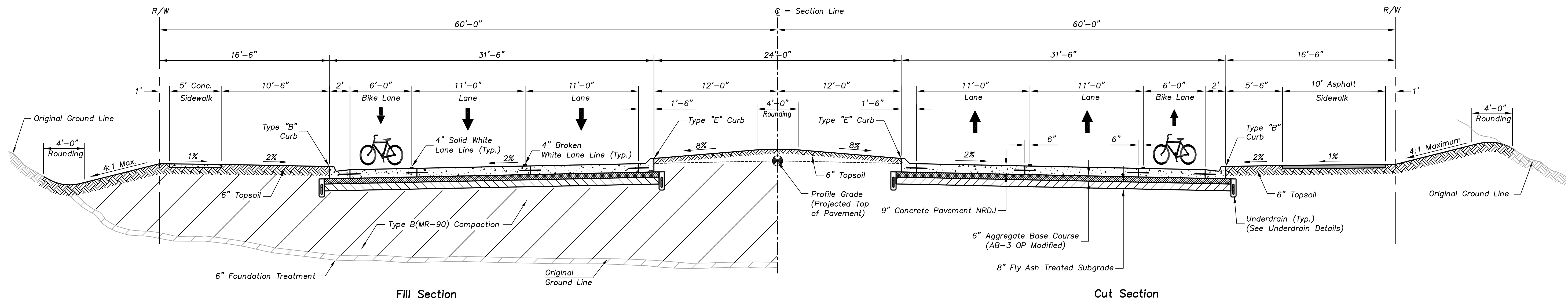
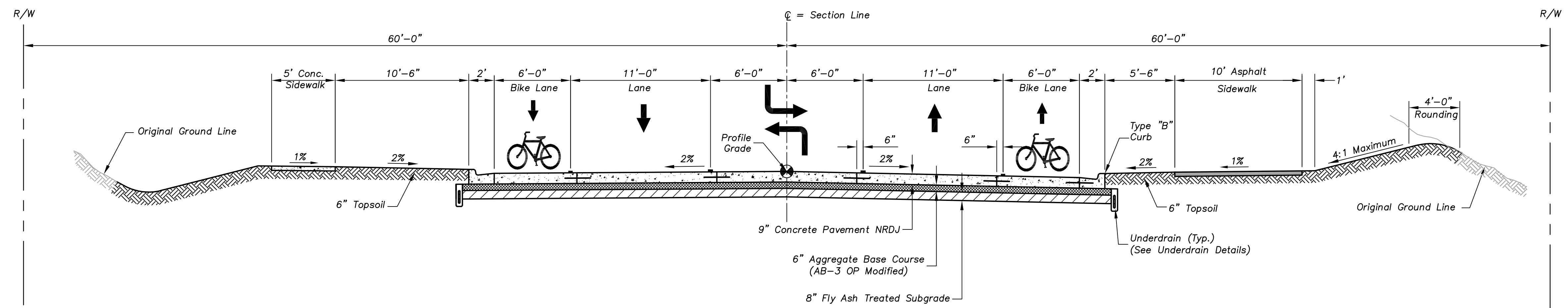


January 31, 2019 - 4:58 PM rldelso
 K:\Details_Specs\Drawings\Details_english\extras\Typical Sections - Thoroughfare Ultimate & Interim-Jan-2019.dwg



Ultimate 4-Lane Divided Section



Ultimate 3-lane Section

NO.	DATE	REVISIONS	BY
1			
2			
3			