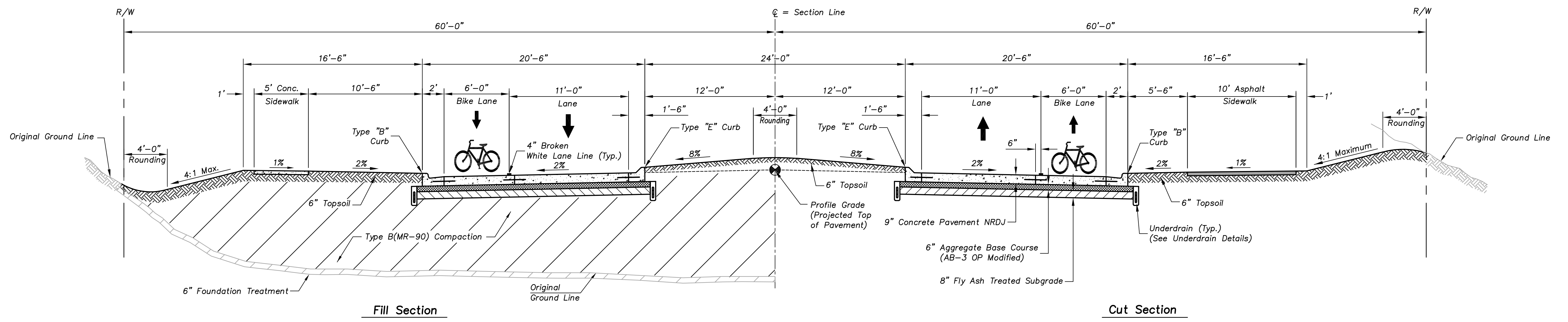
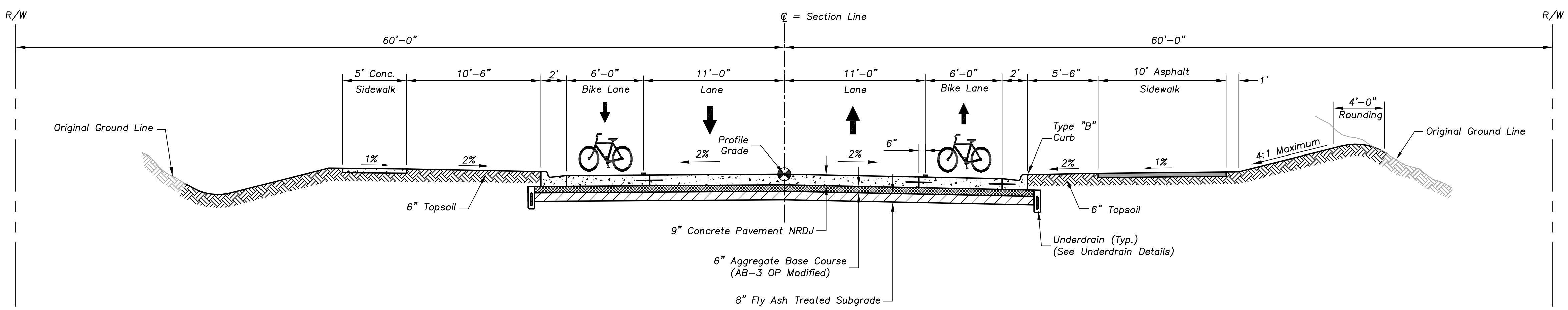


NO.	DATE	REVISIONS	BY
1			
2			
3			

SHEET NO.	TOTAL SHEETS
1	1



Ultimate 2-Lane Divided Section



Ultimate 2-Lane Undivided Section

January 31, 2019 - 4:58 PM rldelton  
K:\Details\_Specs\Drawings\Details\_english\extras\Typical Sections - Thoroughfare Ultimate & Interim-Jan-2019.dwg