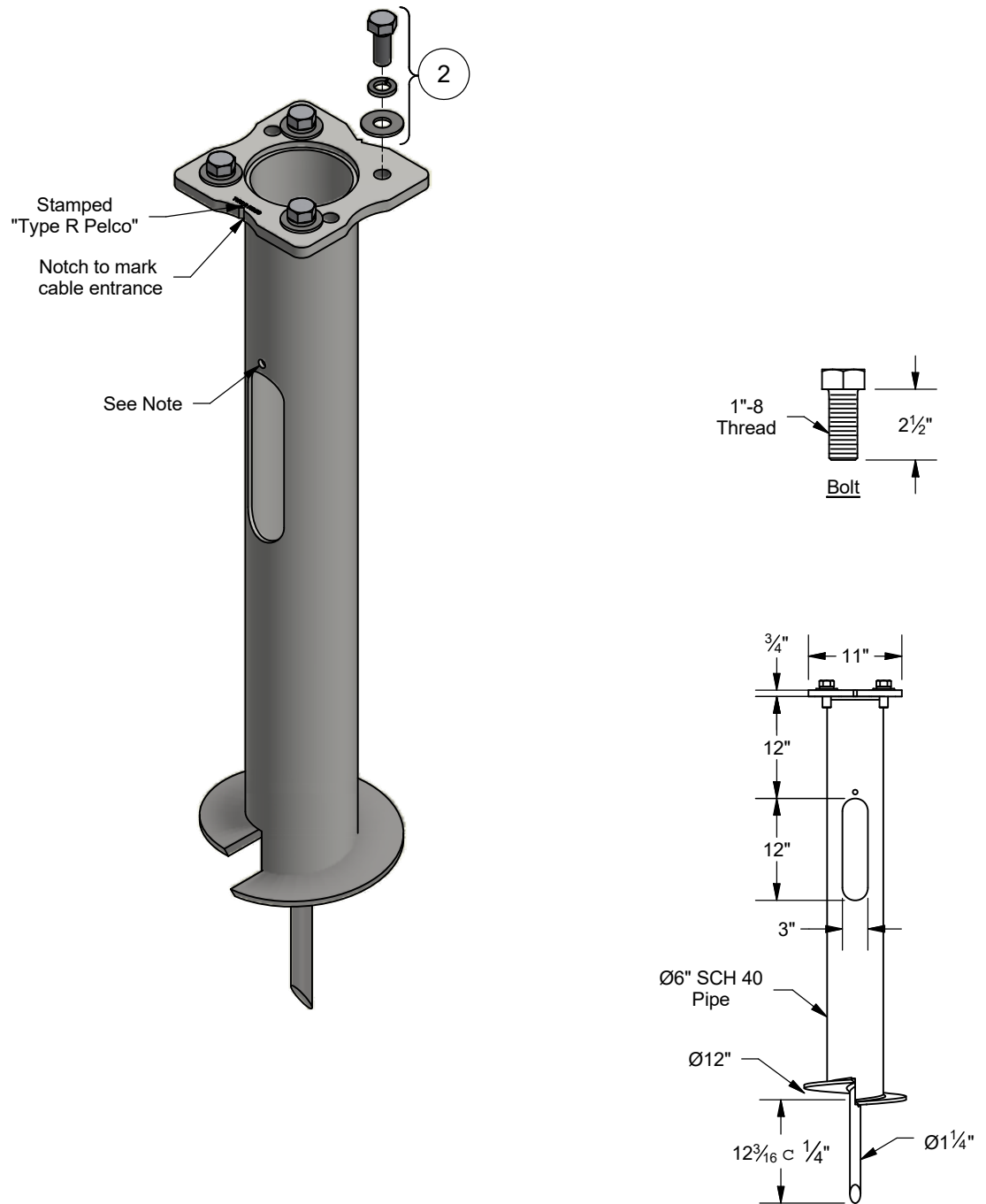


REF:  
Overland Park, KS

TITLE:  
Foundation Anchor Assy, 6" x 48", 9-1/2" BC w/  
1"-8 Bolt Hardware Kit, Steel

PART NO.:  
SP-3017-KS-GLV



**Note:**

1. Place hardware in nylon weatherproof bag and attach to hole with drawstring.
2. Type "R" Anchor

ITEM	PART NUMBER	DESCRIPTION	QTY
1	SP-3010-KS-1	Weldment, Foundation Anchor, 6" x 48" Lg x 9.5" BC, Steel, Galv	1
2	PB-5449-GLV	Hardware Kit, Foundation Anchor, 1"-8NC x 2-1/2" Hex Hd Bolts w/ Washers, Set of 4, Galv	1

Pelco Assy.dwg 8/20/18